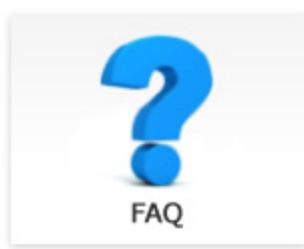


# USB 2.0 Board Model



**Description** Thin Board Type USB2.0 Camera.

**Features** Optimal for narrow and limited space implementation of the camera reset function enables restoration after unexpected accident choose one from CS mount, fixed focus lens and mountless.



## Product Lineup

Resolution		VGA	XGA	1.3M
Model No.	Monochrome	STC-SB33USB	STC-SB83USB	STC-SB133USB
	Color	STC-SC33USB	STC-SC83USB	STC-SC133USB
Frame Rate		59.94fps	29.18fps	22.40fps
Effective Pixels		640 x 480	1024 x 768	1280 x 960
Sensor Size		1/3"	1/3"	1/3"
Cell Size (H x V, μm)		7.4 x 7.4	4.65 x 4.65	3.75 x 3.75
Imaging Area (H x V x D, mm)		3.6 x 4.8 x 6	3.6 x 4.8 x 6	3.6 x 4.8 x 6
Sensor	Monochrome	ICX424AL	ICX204AL	ICX445AL
	Color	ICX424AQ	ICX204AQ	ICX445AQ

\* Please select the model name from the following lineup chart when ordering.

## Lineup

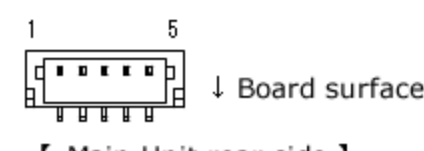
Model Name	Resolution	Monochrome / Color	Configuration	USB connector	Mount	
STC-SB33USB-AL	VGA	Monochrome	Case (A)	L-angle (L)	CS	
STC-SB33USB-BLCS			Board (B)	L-angle (L)	CS	
STC-SB33USB-BSCS				Straight (S)	CS	
STC-SB33USB-BLL				L-angle (L)	Fixed Lens	
STC-SB33USB-BSL				Straight (S)	Fixed Lens	
STC-SB33USB-BL				L-angle (L)	Base (without lens mount)	
STC-SB33USB-BS				Straight (S)	Base (without lens mount)	
STC-SC33USB-AL		Color	Color	Case (A)	L-angle (L)	CS
STC-SC33USB-BLCS				Board (B)	L-angle (L)	CS
STC-SC33USB-BSCS					Straight (S)	CS
STC-SC33USB-BLL					L-angle (L)	Fixed Lens
STC-SC33USB-BSL					Straight (S)	Fixed Lens
STC-SC33USB-BL					L-angle (L)	Base (without lens mount)
STC-SC33USB-BS					Straight (S)	Base (without lens mount)
STC-SB83USB-AL	XGA		Monochrome	Case (A)	L-angle (L)	CS
STC-SB83USB-BLCS				Board (B)	L-angle (L)	CS
STC-SB83USB-BSCS					Straight (S)	CS
STC-SB83USB-BLL					L-angle (L)	Fixed Lens
STC-SB83USB-BSL					Straight (S)	Fixed Lens
STC-SB83USB-BL					L-angle (L)	Base (without lens mount)
STC-SB83USB-BS					Straight (S)	Base (without lens mount)
STC-SC83USB-AL		Color	Color	Case (A)	L-angle (L)	CS
STC-SC83USB-BLCS				Board (B)	L-angle (L)	CS
STC-SC83USB-BSCS					Straight (S)	CS
STC-SC83USB-BLL					L-angle (L)	Fixed Lens
STC-SC83USB-BSL					Straight (S)	Fixed Lens
STC-SC83USB-BL					L-angle (L)	Base (without lens mount)
STC-SC83USB-BS					Straight (S)	Base (without lens mount)
STC-SB133USB-AL	1.3M		Monochrome	Case (A)	L-angle (L)	CS
STC-SB133USB-BLCS				Board (B)	L-angle (L)	CS
STC-SB133USB-BSCS					Straight (S)	CS
STC-SB133USB-BLL					L-angle (L)	Fixed Lens
STC-SB133USB-BSL					Straight (S)	Fixed Lens
STC-SB133USB-BL					L-angle (L)	Base (without lens mount)
STC-SB133USB-BS					Straight (S)	Base (without lens mount)
STC-SC133USB-AL		Color	Color	Case (A)	L-angle (L)	CS
STC-SC133USB-BLCS				Board (B)	L-angle (L)	CS
STC-SC133USB-BSCS					Straight (S)	CS
STC-SC133USB-BLL					L-angle (L)	Fixed Lens
STC-SC133USB-BSL					Straight (S)	Fixed Lens
STC-SC133USB-BL					L-angle (L)	Base (without lens mount)
STC-SC133USB-BS					Straight (S)	Base (without lens mount)

## External Connector Specifications

External Link Connectors	USB: USB mini-B type, I/O signal: The angle type is SM05B-SRSS-TB (JST) equivalent. The straight type (made-to-order) is BM05B-SRSS-TB (JST) equivalent. Please use the harness side equivalent to SHR-05V-S-B (JST).
--------------------------	---

## Pin Assignments

Pin No.	Signal Name	Function	I/O	Electrical specifications	Default Setting
1	IO_GND	Voltage GND for IO_OUT	-	IO GND	-
2	IO_VCC	Voltage IN for IO_OUT	Input	2.0 - 5.0VDC	-
3	IO_OUT	Output signal	Output		Function disabled
4	IO_IN	Input signal	Input		Function disabled
5	RST	Camera reset signal	Input		TBD



【 Main Unit rear side 】

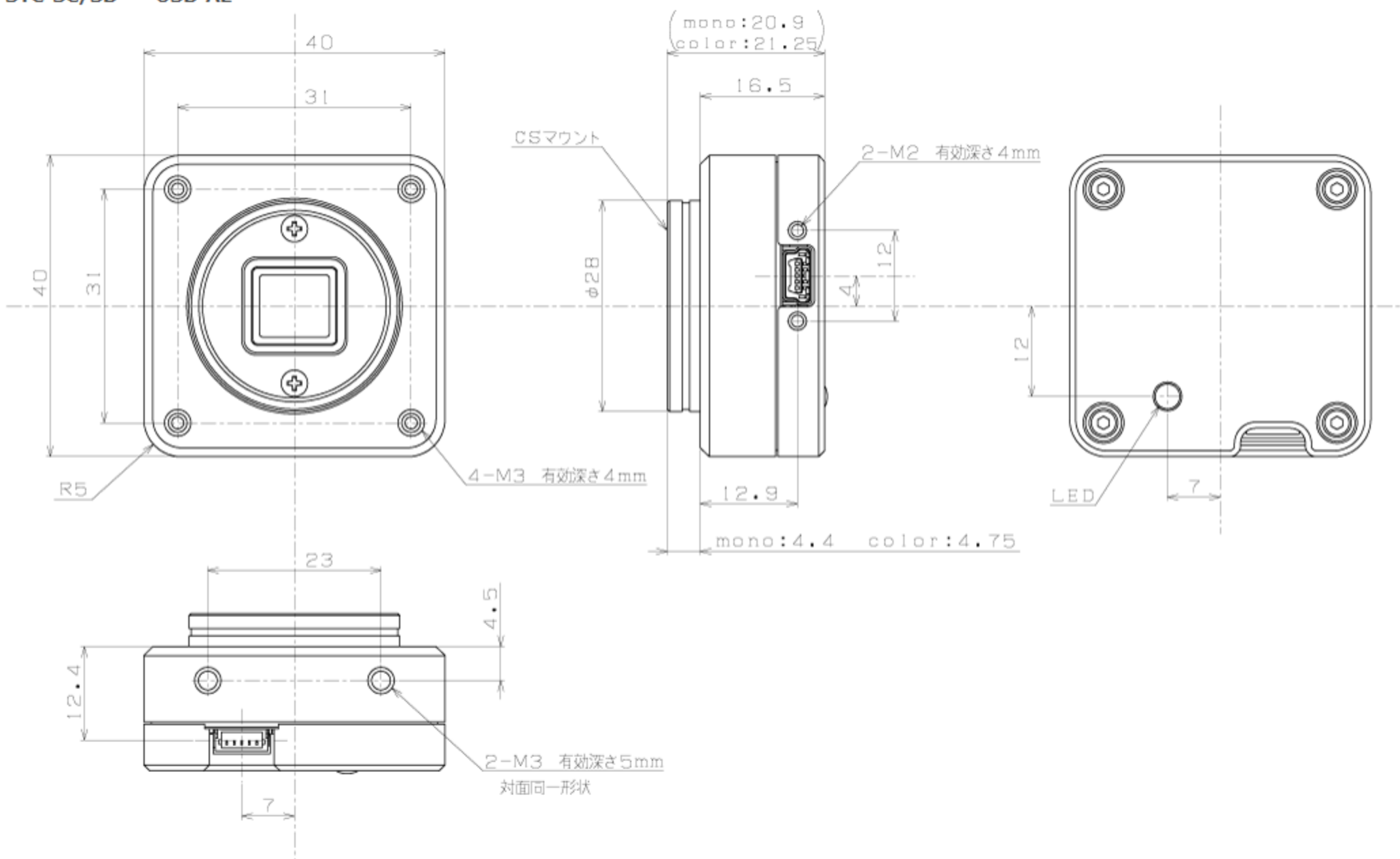
The above signals are electrically insulated from the inside of the camera.

About the reset pin: If the camera is not recognized by the PC, you can restart the camera with the USB cable connected by inputting H signal to pin 5 for five seconds.

## External View

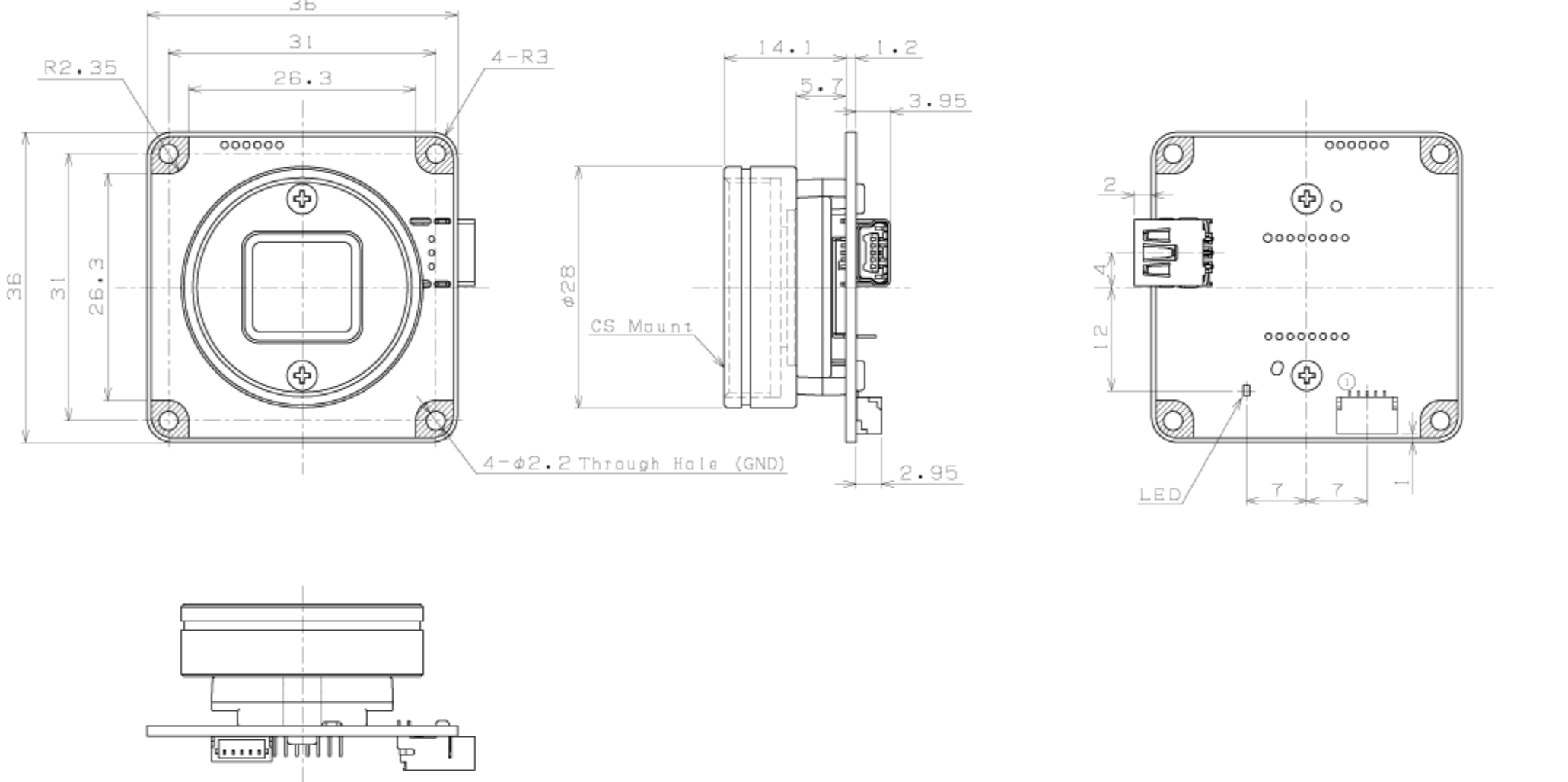
[Downloads](#)

### STC-SC/SB\*\*\*USB-AL



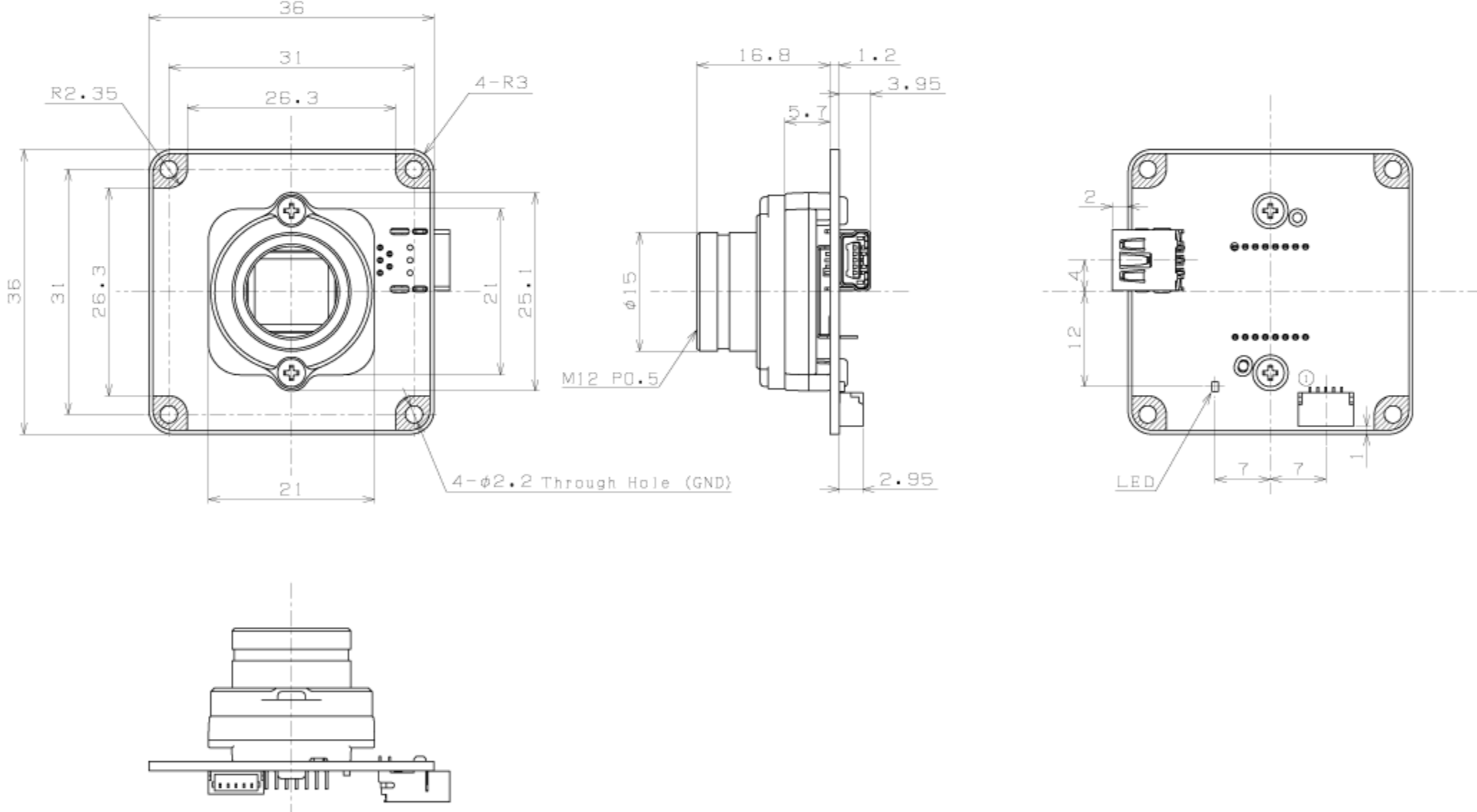
Unit:mm

### STC-SC/SBxxxUSB-BLCS



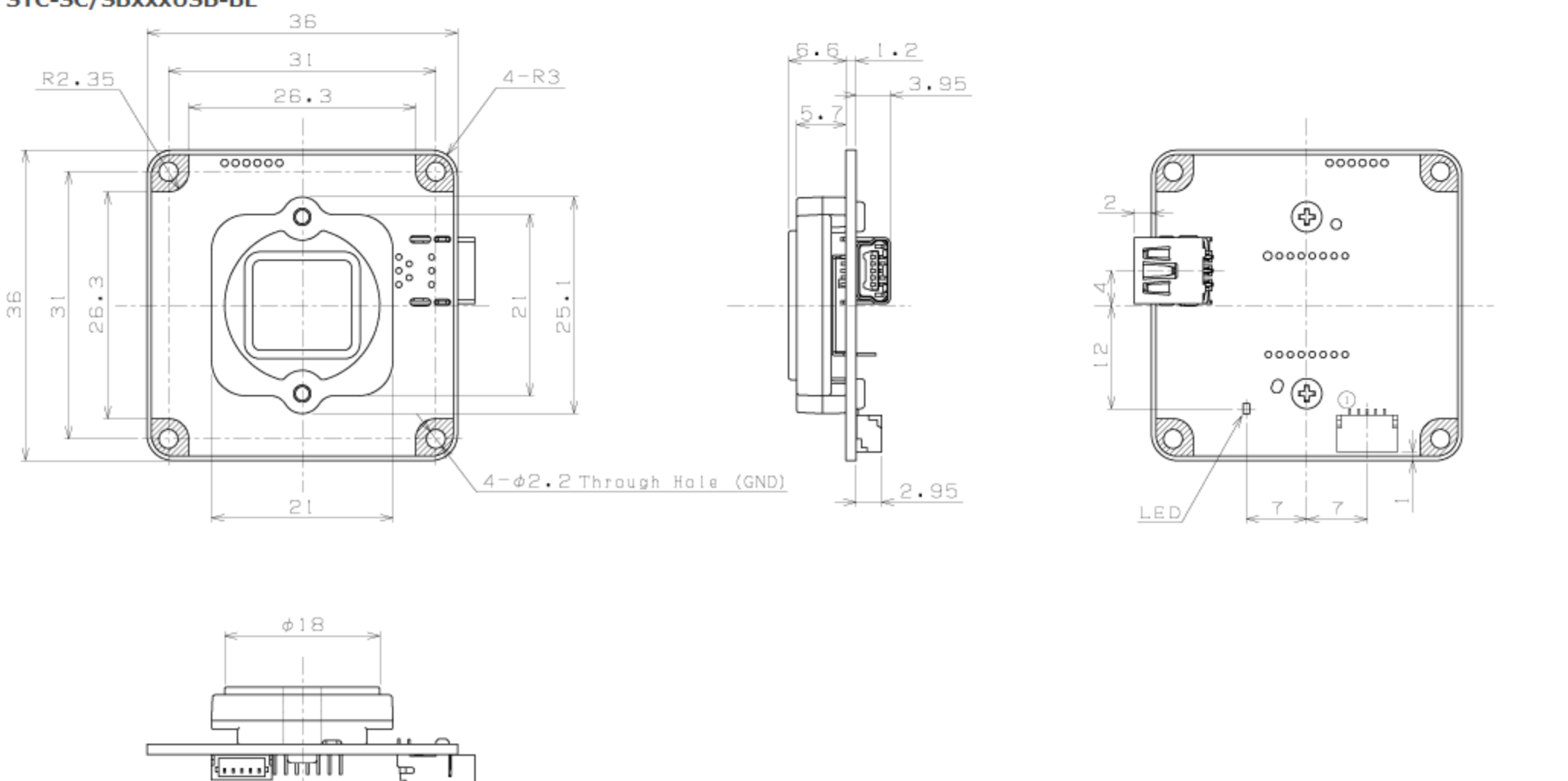
Unit:mm

### STC-SC/SBxxxUSB-BLL



Unit:mm

### STC-SC/SBxxxUSB-BL



Unit:mm