

# Camera Link Remote Head Model

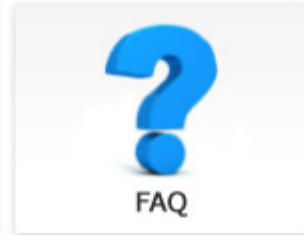


### Description

Ultra Small Remote Head Camera Link Camera.

### Features

Set up in the narrow spaces available by separating the sensor and head. Installation on the moving parts becoming able by enhancing the durability of the cable.



## Product Lineup

Resolution		VGA	VGA	VGA
Model No.	Monochrome	STC-MBR33PCL-C3	STC-MBR33PCL-R3	STC-RHB33PCL
	Color	STC-MCR33PCL-C3	STC-MCR33PCL-R3	
Frame Rate		90fps	90fps	90fps
Effective Pixels		648 x 494	648 x 494	648 x 494
Sensor Size		1/3"	1/3"	1/3"
Cell Size (H x V, μm)		7.4 x 7.4	7.4 x 7.4	7.4 x 7.4
Imaging Area (H x V x D, mm)		4.8x3.7	4.8x3.7	3.6 x 4.8 x 6
Sensor	Monochrome	ICX424	ICX424	ICX424AL
	Color	ICX424	ICX424	
Lens Mount		M10.5(P=0.5)	M10.5(P=0.5)	M10.5(P=0.5)
General Specifications		PoCL Support, SDR Connector ×1	PoCL Support, SDR Connector ×1	

## External Connector Specifications

External Link Connectors	Camera Link connector: miniature connector (SDR), power supply I/O: HR10A-7R-6PB (Hirose) or equivalent
--------------------------	---

### A Camera Link connector

Pin No.	Signal Name	Pin No.	Signal Name
1	GND	14	GND
2	X0-	15	X0+
3	X1-	16	X1+
4	X2-	17	X2+
5	Xclk-	18	Xclk+
6	X3-	19	X3+
7	SerTC+	20	SerTC-
8	SerTFG-	21	SerTFG+
9	CC1-(TRG)	22	CC1+(TRG)
10	CC2+	23	CC2-
11	CC3-	24	CC3+
12	CC4+	25	CC4-
13	GND	26	GND

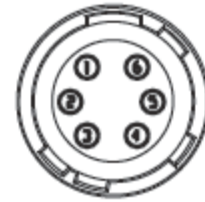


(A) Camera Link Connector  
3M SDR equivalent

\* Please use an HR10A-7P-6S (Hirose) equivalent on the cable-side.

### B Power Supply/I/O Signal Connector

Pin No.	Signal Name	IN/OUT	Signal Voltage	
			Low Voltage	High Voltage
1	GND	IN	0V	
2	I/O-1	IN/OUT	Input	0~+0.5V / +2.5~+5.0V
			Output	0V / +3.3V
3	I/O-2	IN/OUT	Input	0~+0.5V / +2.5~+5.0V
			Output	0V / +3.3V
4	I/O-3	IN/OUT	Input	0~+0.5V / +2.5~+5.0V
			Output	0V / +3.3V
5	TRG OUT	OUT	Output	0V / +3.3V
6	+12Vdc	IN	+12Vdc	



(B) Power Supply/I/O Signal Connector  
Hirose HR10A-7R-6PB equivalent  
Depending on the camera settings, trigger signal input can be performed.

\* Please use an HR10A-7P-6S (Hirose) equivalent on the cable-side.

## External View

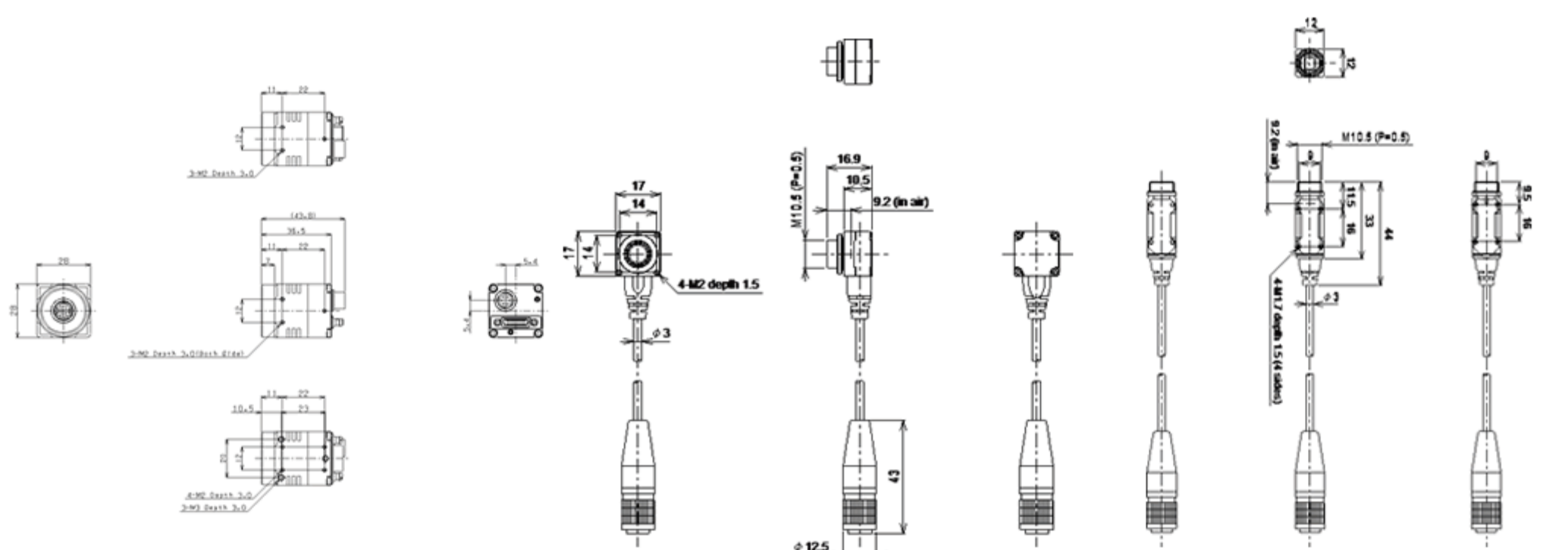
[Downloads](#)

### RCL33A External View

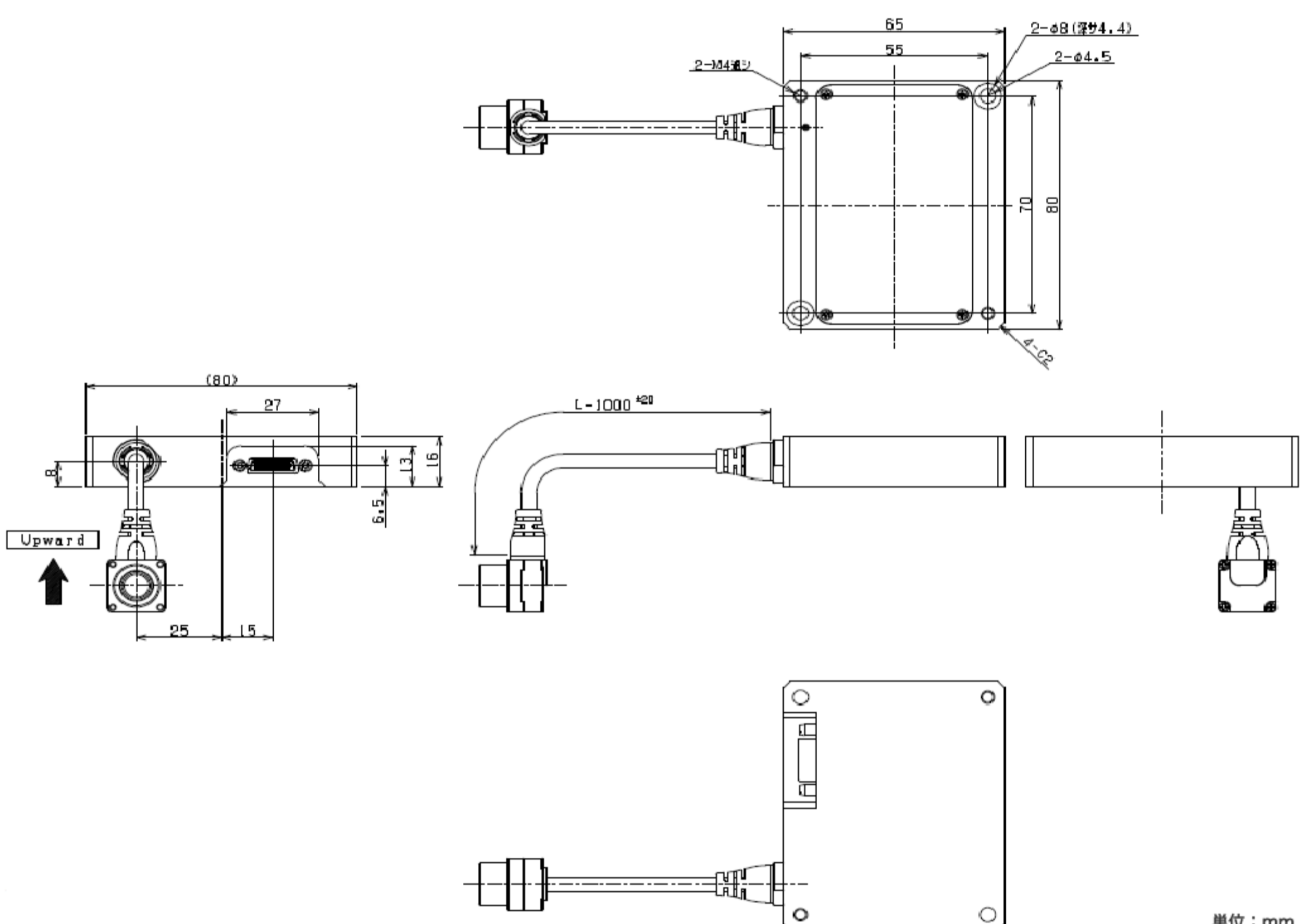
[ CCU Component ]

[ Cube Type (C) Head Component ]

[ Cylinder Type (R) Head Component ]

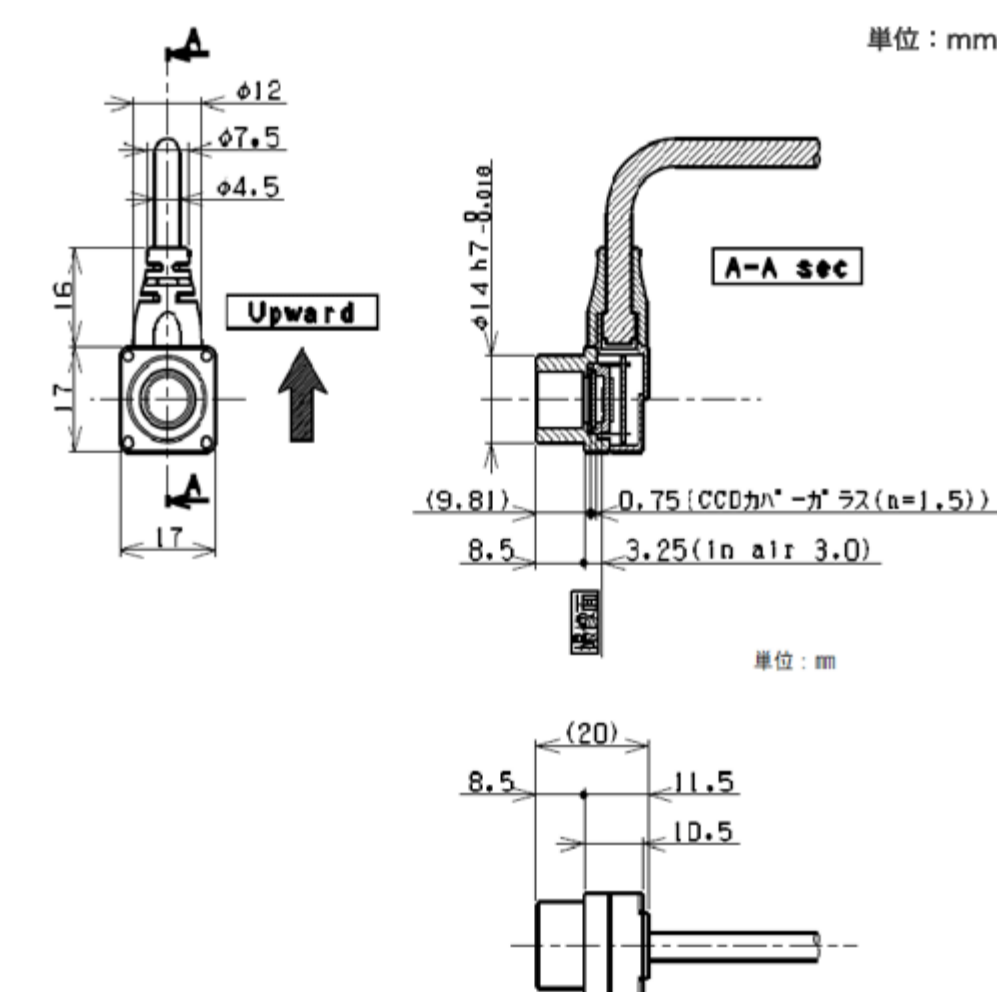


### RHB33PCL-U External View



単位 : mm

### Detailed View of RHB33PCL-U Head Component



単位 : mm