

Camera Link High-speed CMOS



Description High Speed CMOS Camera Link Series.

Features Sony CMOS [Pregius] are also available high resolution and high FPS implemented simultaneously by high performance CMOS sensor.



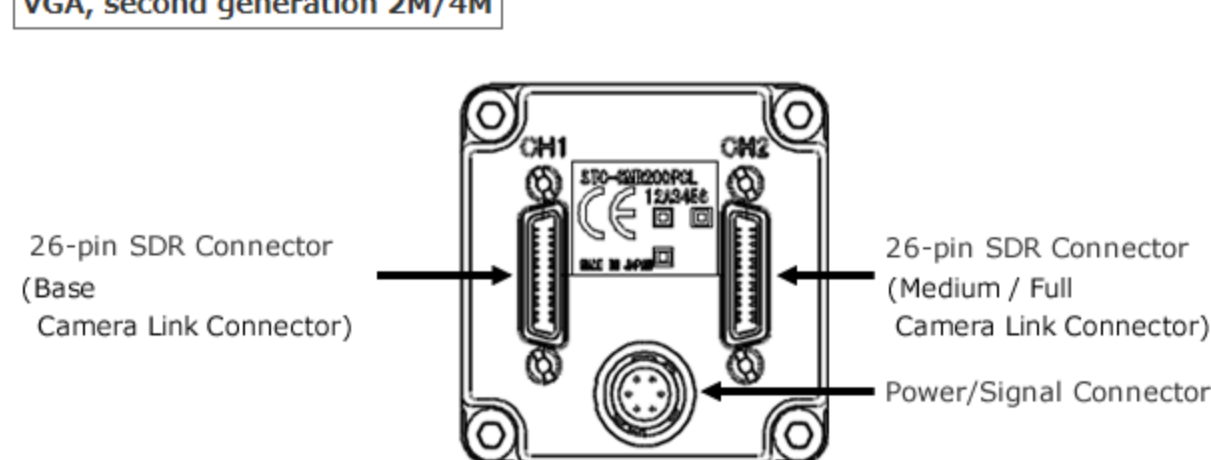
Product Lineup

Resolution	VGA	0.4M	1.6M	UXGA	3.2M	3.2M	4M	5M	5M	5M	8.9M	8.9M	12M	12M	12M
Model No.	STC-CMB33PCL	STC-SPB43PCL	STC-SPB163PCL	STC-CMB200PCL	STC-SPB312PCL	STC-SPB322PCL	STC-CMB401PCL	STC-SPB500PCL	STC-SPB510PCL	STC-APB503PCL (Coming soon)	STC-SPB881PCL (Coming soon)	STC-SPB891PCL	STC-SPB122BPCL (Coming soon)	STC-SPB123BPCL	STC-CMB120APCL
Color	STC-CMC33PCL	STC-SPC43PCL	STC-SPC163PCL	STC-CMC200PCL	STC-SPC312PCL	STC-SPC322PCL	STC-CMC401PCL	STC-SPC500PCL	STC-SPC510PCL	STC-APC503PCL (Coming soon)	STC-SPC881PCL (Coming soon)	STC-SPC891PCL	STC-SPC122BPCL (Coming soon)	STC-SPC123BPCL	STC-CMC120APCL
Monochrome near-infrared compatible				STC-CMB200PCL-NIR			STC-CMB401PCL-NIR								
Frame Rate	432fps	523.5fps	152.4fps	333fps	57.1fps	216.2fps	180fps	35.7fps	163.4fps	14fps	20.6fps	91.0fps	15fps	66.9fps	62.3fps
Effective Pixels	642 x 484	720 x 540	1440 x 1080	2048 x 1088	2048 x 1536	2048 x 1536	2048 x 2048	2448 x 2048	2448 x 2048	2592 x 1944	4096 x 2160	4096 x 2160	4096 x 3000	4096 x 3000	4096 x 3072
Sensor Size	1/3"	1/2.9"	1/2.9"	2/3"	1/1.8"	1/1.8"	1"	2/3"	2/3"	1/2.5"	1"	1"	1.1"	1.1"	1.76"
Cell Size (H x V, μm)	7.4 x 7.4	6.9 x 6.9	3.45 x 3.45	5.5 x 5.5	3.45 x 3.45	3.45 x 3.45	5.5 x 5.5	3.45 x 3.45	3.45 x 3.45	2.2 x 2.2	3.45 x 3.45	3.45 x 3.45	3.45 x 3.45	3.45 x 3.45	5.5 x 5.5
Imaging Area (H x V x D, mm)	3.58 x 4.75 x 5.95	4.97 x 3.72	4.97 x 3.72	5.98 x 11.26 x 12.76	5.2 x 7.0	5.2 x 7.0	11.26 x 11.26 x 15.93	7.0 x 8.4	7.0 x 8.4	4.28 x 5.7 x 7.13	7.45 x 14.13	7.45 x 14.13	10.35 x 14.13	10.35 x 14.13	22.5 x 16.9 x 28.2
Sensor	Monochrome Color	CMV300 IMX287	IMX287 IMX273	IMX273 CMV2000	CMV2000 IMX265	IMX265 IMX252	IMX252 CMV4000	CMV4000 IMX264	IMX264 IMX250	IMX250 MT9P031	MT9P031 IMX267	IMX267 IMX255	IMX255 IMX304	IMX304 IMX253	IMX253 CMV12000
Lens Mount	C-Mount	C-Mount	C-Mount	C-Mount	C-Mount	C-Mount	C-Mount	C-Mount	C-Mount	C-Mount	C-Mount	C-Mount	C-Mount	C-Mount	M42Mount

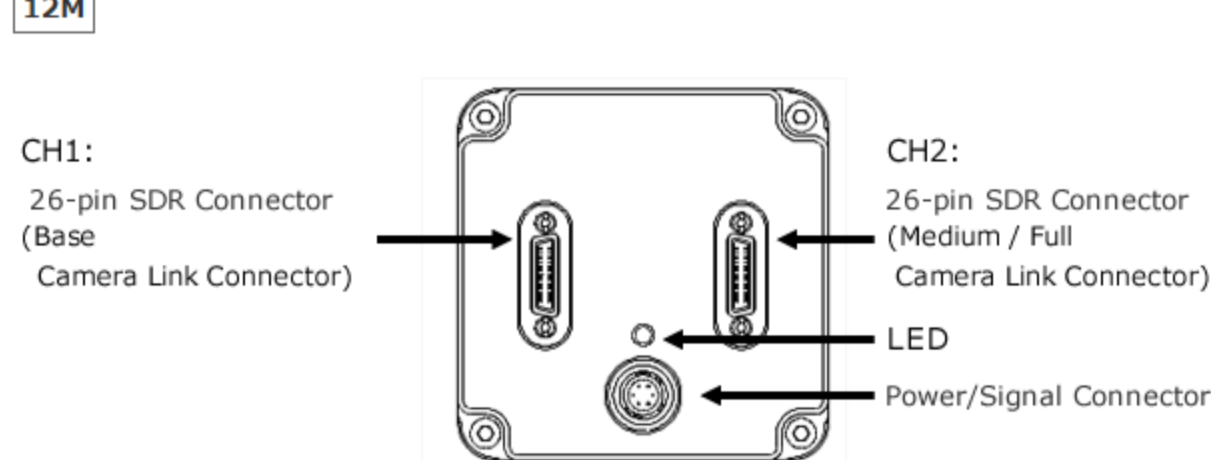
External Connector Specifications

External Link Connectors	Camera Link connector: miniature connector (SDR) x 2, power supply I/O: HR10A-7R-6PB (Hirose) or equivalent
--------------------------	---

VGA, second generation 2M/4M



12M



When used with the base configuration, connect the Camera Link cable to the Base connector for use. When used with the Medium/Full/10-TAP configurations, connect the Camera Link cable to both the Base connector and the Medium/Full connector for use.

Pin Assignments

Base Camera Link Connector

Pin No.	Signal Name	Pin No.	Signal Name
1	+12V	14	GND
2	X0-	15	X0+
3	X1-	16	X1+
4	X2-	17	X2+
5	Xclk-	18	Xclk+
6	X3-	19	X3+
7	SerTC+	20	SerTC-
8	SerTFG+	21	SerTFG-
9	CC1-(TRG)	22	CC1+(TRG)
10	CC2+	23	CC2-
11	CC3-	24	CC3+
12	CC4+	25	CC4-
13	GND	26	+12V

Medium/Full Camera Connector

Pin No.	Signal Name	Pin No.	Signal Name
1	+12V	14	GND
2	Y0-	15	Y0+
3	Y1-	16	Y1+
4	Y2-	17	Y2+
5	Yclk-	18	Yclk+
6	Y3-	19	Y3+
7	100Ω	20	100Ω
8	Z0-	21	Z0+
9	Z1-	22	Z1+
10	Z2-	23	Z2+
11	Zclk-	24	Zclk+
12	Z3-	25	Z3+
13	GND	26	+12V

Pin Assignments

Pin No.	Signal Name	IN/OUT	Signal Voltage		
			Low Voltage	High Voltage	
1	GND	IN	0V		
2	SP-4	IN/OUT	IN	0~+0.99V	+2.3V~+5.0V
		OUT	OUT	0V	+3.3V
3	SP-3	IN/OUT	IN	0~+0.99V	+2.3V~+5.0V
		OUT	OUT	0V	+3.3V
4	SP-2	IN/OUT	IN	0~+0.99V	+2.3V~+5.0V
		OUT	OUT	0V	+3.3V
5	SP-1	IN/OUT	IN	0~+0.99V	+2.3V~+5.0V
		OUT	OUT	0V	+3.3V
6	+12Vdc	IN	+12Vdc		

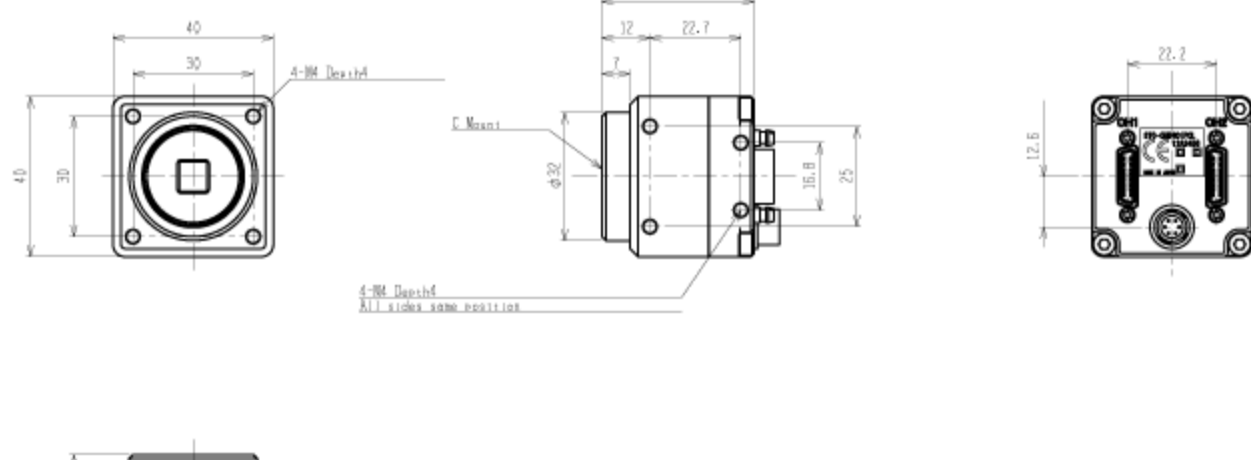


The trigger signal can be input from either one of the connectors listed below by the setting of the camera using communication. Camera Link connector (CC1) or power supply/I/O connector (No. 2). Please use an HR10A-7P-6S (Hirose) equivalent on the cable-side.

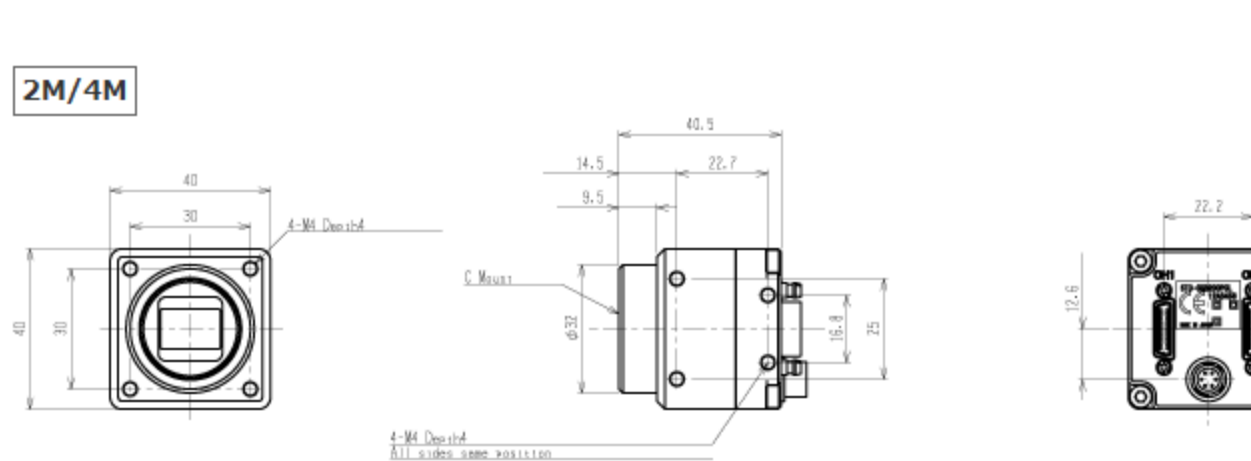
External View

[Downloads](#)

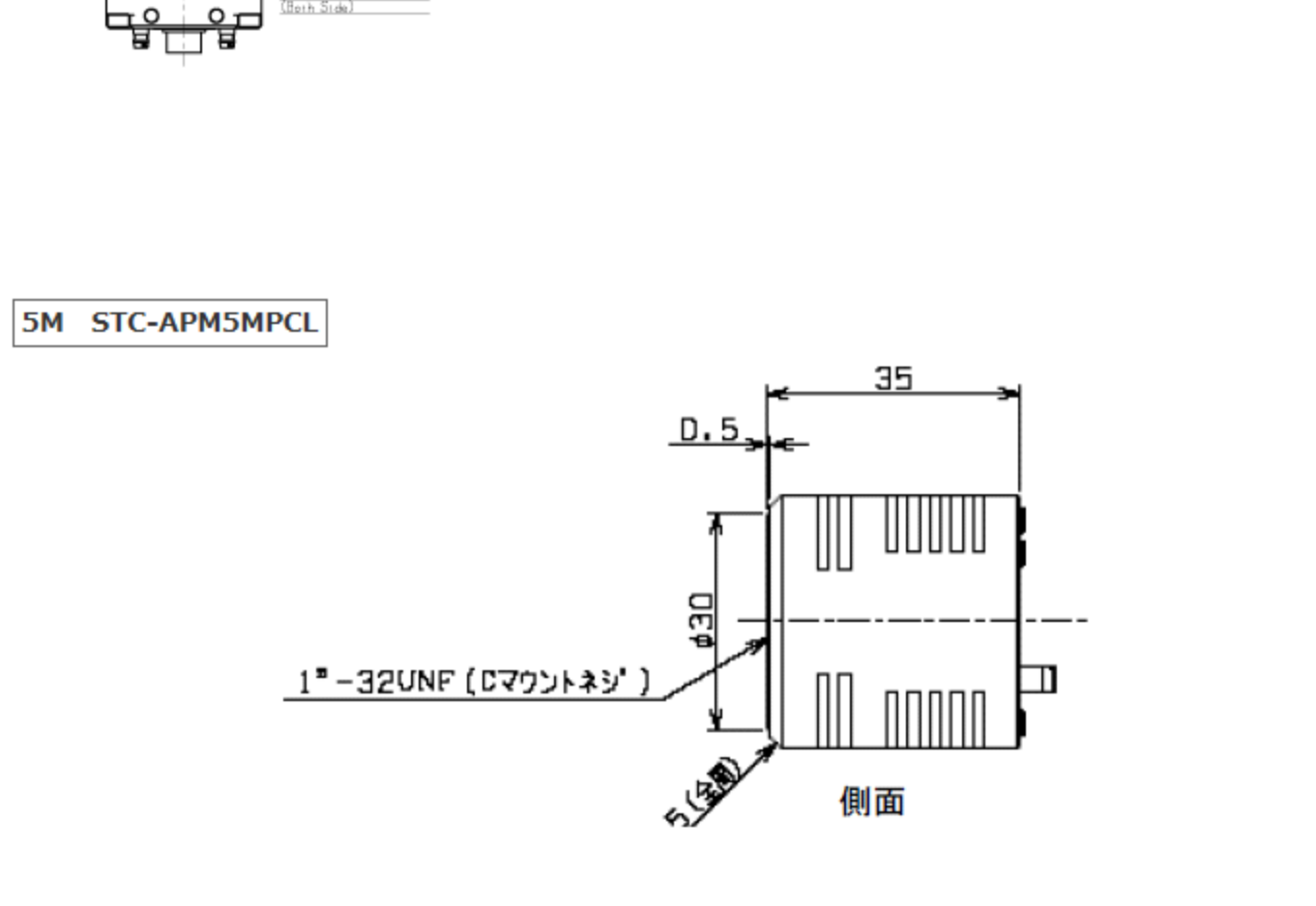
VGA



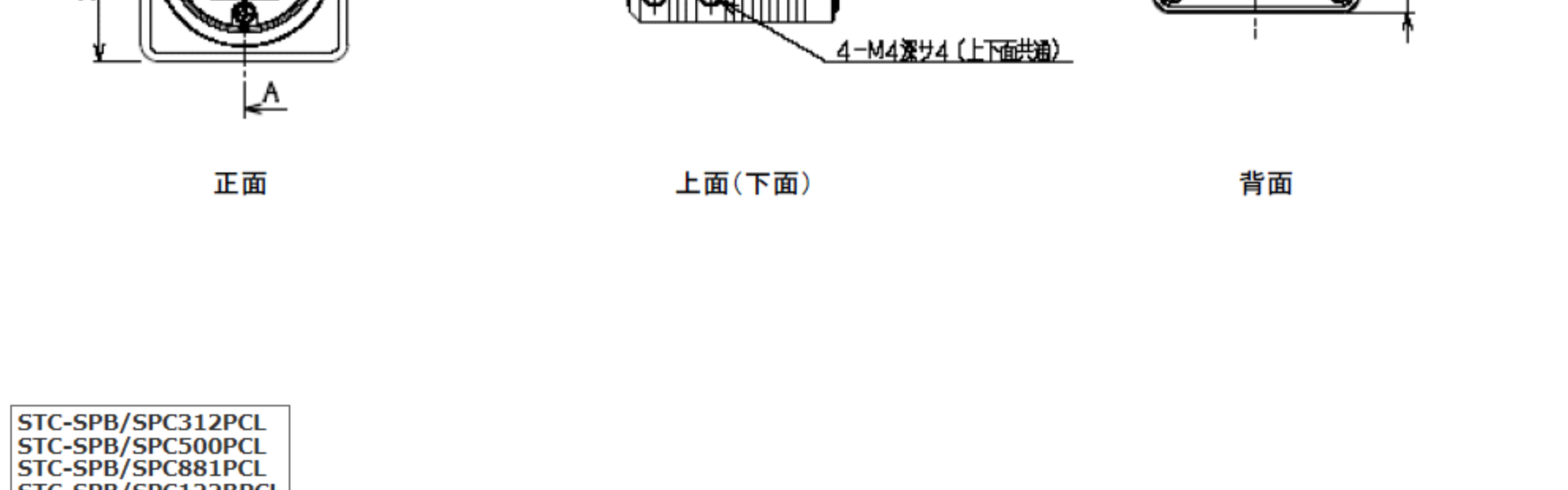
2M/4M



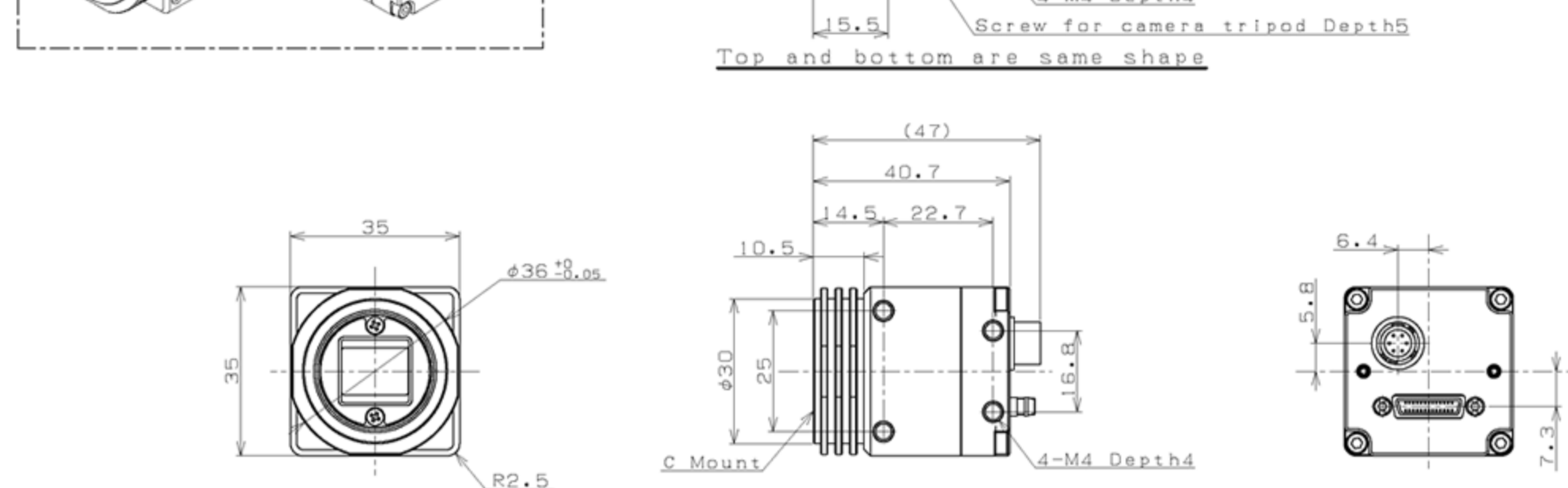
5M STC-APM5MPCL



STC-SPB/SPC312PCL STC-SPB/SPC500PCL STC-SPB/SPC881PCL STC-SPB/SPC122BPCL



STC-SPB/SPC322PCL STC-SPB/SPC510PCL STC-SPB/SPC891PCL STC-SPB/SPC123BPCL



12M

