

# Camera Link CCD Model



**Description** Compact & Light CameraLink Camera.  
**Features** Wide range of product lineup  
 High FPS version also available.



## Product Lineup

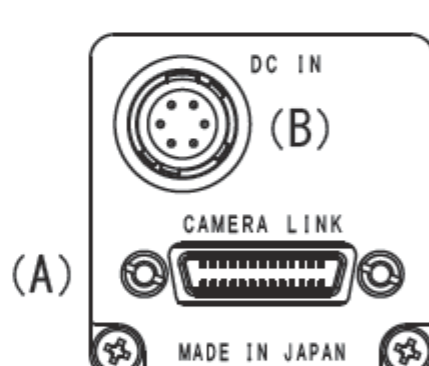
Resolution		VGA	VGA	XGA	1.3M	SXGA	UXGA	UXGA
Model No.	Monochrome	STC-MB33PCL	STC-MB32PCL	STC-MB83PCL	STC-MB133PCL	STC-MB152PCL	STC-MB202PCL	STC-MB232PCL
	Color	STC-MC33PCL	STC-MC32PCL	STC-MC83PCL	STC-MC133PCL	STC-MC152PCL	STC-MC202PCL	STC-MC232PCL
Frame Rate		90fps	90fps	30fps	22fps	19fps	14fps	30fps
Effective Pixels		648 x 494	648 x 494	1024 x 768	1280 x 966	1360 x 1040	1620 x 1220	1620 x 1220
Sensor Size		1/3"	1/2"	1/3"	1/3"	1/2"	1/1.8"	1/1.8"
Cell Size (H x V, μm)		7.4 x 7.4	7.4 x 7.4	4.65 x 4.65	3.75 x 3.75	4.65 x 4.65	4.4 x 4.4	4.4 x 4.4
Imaging Area (H x V x D, mm)		3.6 x 4.8 x 6	3.6 x 4.8 x 6	3.6 x 4.8 x 6	3.6 x 4.8 x 6	4.8 x 6.4 x 8	5.4 x 7.1 x 8.9	5.4 x 7.1 x 8.9
Sensor	Monochrome	ICX424AL	ICX414AL	ICX204AL	ICX445AL	ICX205AL	ICX274AL	ICX274AL
	Color	ICX424AQ	ICX414AQ	ICX204AQ	ICX445AQ	ICX205AQ	ICX274AQ	ICX274AQ
Lens Mount		C-Mount	C-Mount	C-Mount	C-Mount	C-Mount	C-Mount	C-Mount

## External Connector Specifications

External Link Connectors	Camera Link connector: miniature connector (SDR), power supply I/O: HR10A-7R-6PB (Hirose Electric) equivalent
--------------------------	---

### A Camera Link connector

Pin No.	Signal Name	Pin No.	Signal Name
1	GND	14	GND
2	X0-	15	X0+
3	X1-	16	X1+
4	X2-	17	X2+
5	Xclk-	18	Xclk+
6	X3-	19	X3+
7	SerTC+	20	SerTC-
8	SerTFG-	21	SerTFG+
9	CC1-(TRG)	22	CC1+(TRG)
10	CC2+	23	CC2-
11	CC3-	24	CC3+
12	CC4+	25	CC4-
13	GND	26	GND



(A) Camera Link Connector  
3M SDR equivalent

### B Power Supply/I/O Signal Connector

Pin No.	Signal Name	IN/OUT	Signal Voltage	
			Low Voltage	High Voltage
1	GND	IN	0V	
2	I/O-1	IN/OUT	Input	0~+0.5V / +2.5~+5.0V
			Output	0V / +3.3V
3	I/O-2	IN/OUT	Input	0~+0.5V / +2.5~+5.0V
			Output	0V / +3.3V
4	I/O-3	IN/OUT	Input	0~+0.5V / +2.5~+5.0V
			Output	0V / +3.3V
5	TRG OUT	OUT	Output	0V / +3.3V
6	+12Vdc	IN	+12Vdc	



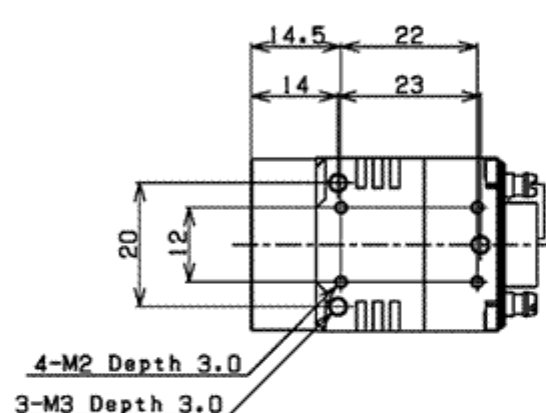
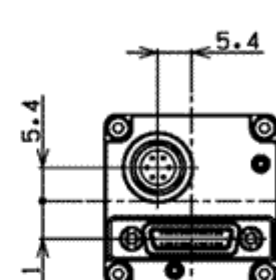
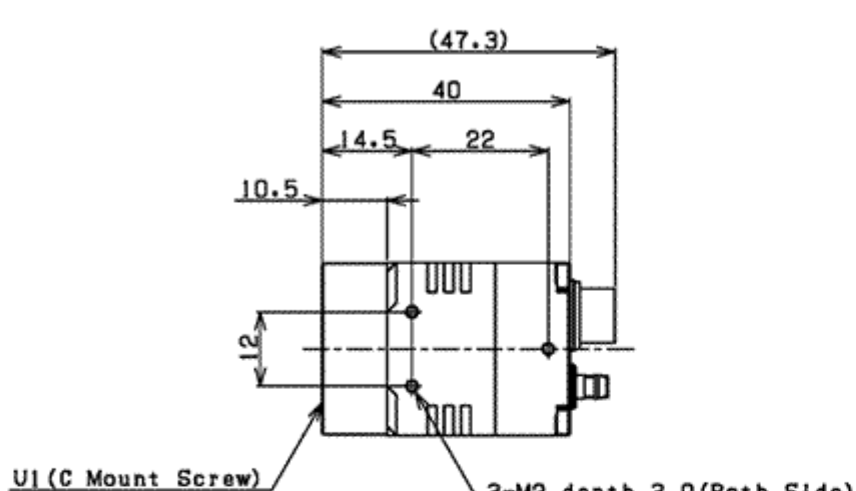
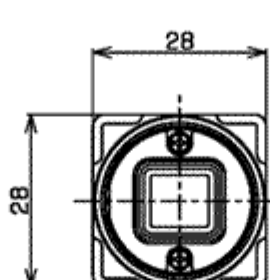
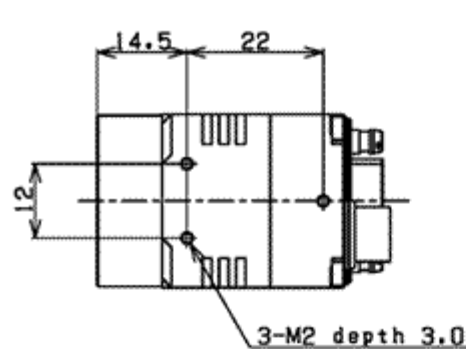
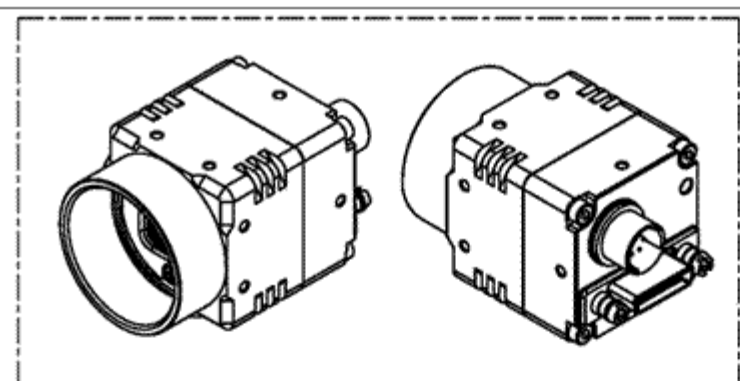
(B) Power/I/O Signal Connector  
Hirose HR10A-7R-6PB equivalent  
Depending on the camera settings, trigger signal input can be performed.

\* Please use an HR10A-7P-6S (Hirose) equivalent on the cable-side.

## External View

[Downloads](#)

### External View STC-MB/MC33PCL · 32PCL · 83PCL · 132PCL · 152PCL · 202PCL



### External View STC-MB/MC232PCL

