

# HD-SDI HD Camera



**Description** HD-SDI Output Color Camera

**Features** Connectable to the monitor directly by versatile BNC connectors Suitable for the long distance image transmission enables a display of the crosshair and shadow masks by using the optional remote unit. STC-HD93SDI has a 1.5 times higher sensitivity than its conventional type(STC-HD133SDI) and it leads to brighter images than ever a full High-Definition 1080P makes it possible to acquire higher resolution images.



## Product Lineup

| Resolution               |            | HD 720P     | HD 720P       | HD 720P        | FHD 1080P    | FHD 1080P       |
|--------------------------|------------|-------------|---------------|----------------|--------------|-----------------|
| Model No.                | Monochrome | -           | -             | -              | -            | -               |
|                          | Color      | STC-HD93SDI | STC-HD93SDI-B | STC-HD93SDI-CS | STC-HD203SDI | STC-HD203SDI-CS |
| Frame Rate               |            | 60fps       | 60fps         | 60fps          | 60fps        | 60fps           |
| Effective Pixels         |            | 1280 x 720  | 1280 x 720    | 1280 x 720     | 1920 x 1080  | 1920 x 1080     |
| Sensor Size              |            | 1/3"        | 1/3"          | 1/3"           | 1/2.8"       | 1/2.8"          |
| Cell Size (HxV, μm)      |            | 4.08x4.08   | 4.08x4.08     | 4.08x4.08      | 2.8x2.8      | 2.8x2.8         |
| Imaging Area (HxVxD, mm) |            | 2.9x5.2x6.0 | 2.9x5.2x6.0   | 2.9x5.2x6.0    | 3.0x5.4x6.2  | 3.0x5.4x6.2     |
| Sensor                   | Monochrome | -           | -             | -              | -            | -               |
|                          | Color      | ICX445AQA   | ICX445AQA     | ICX445AQA      | IMX136       | IMX136          |
| Lens Mount               |            | C-Mount     | C-Mount       | CS-Mount       | C-Mount      | CS-Mount        |

### - Difference between the STC-HD133 series and STC-HD93 series -

The STC-HD93 series is the successor of the STC-HD133 Series.

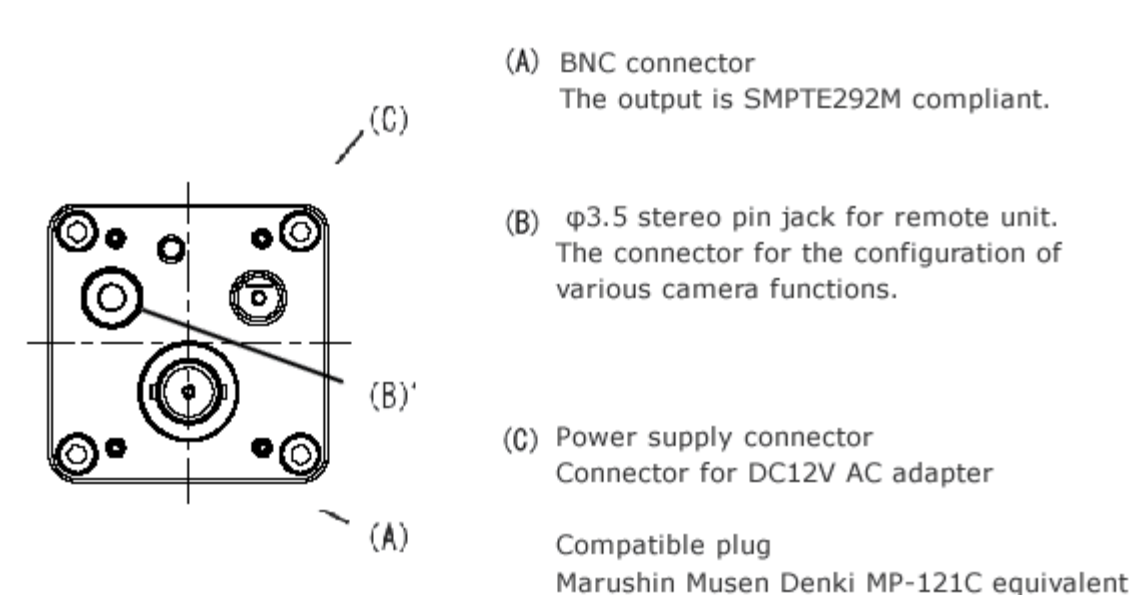
While the number of pixels, the functions and enclosure are the same, the cell size is larger and the following items were changed.

- The larger imaging size enables a relatively wider image angle with the same lens.
- The sensitivity is improved.

| Series                                   | STC-HD133SDI Series | STC-HD93SDI Series |
|--|---------------------|--------------------|
| Imaging size H x V x D (mm)              | 4.8 x 2.7 x 5.5     | 5.2 x 2.9 x 6.0    |
| Minimum object illuminance (Lux at F1.2) | 7.5                 | 5.5                |
| Cell size H x V (μm)                     | 3.75 x 3.75         | 4.08 x 4.08        |

## External Connector Specifications

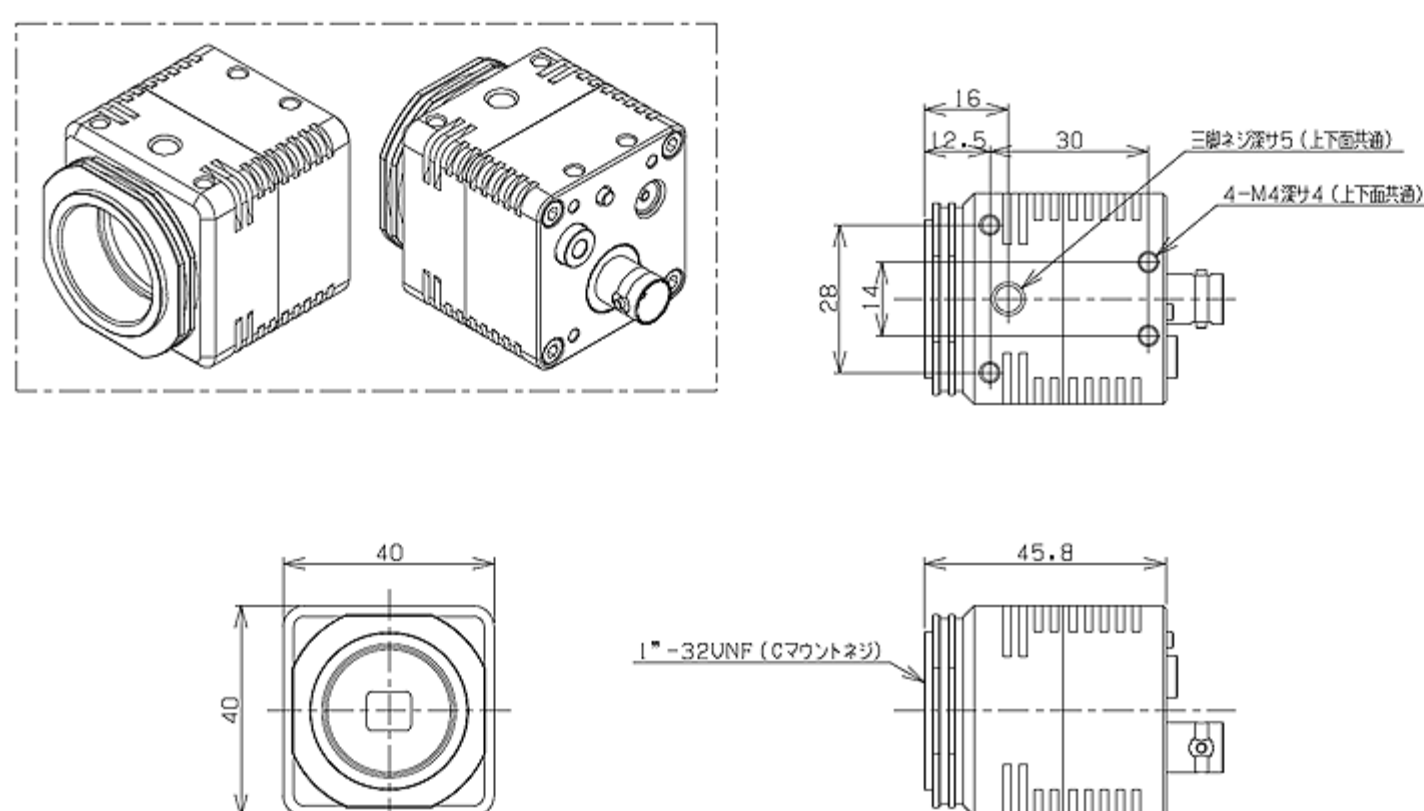
|                          |  |
|--------------------------|--|
| External Link Connectors | BNC connector: for HD-SDI, power supply: MP-121C (Marushin Musen Denki) equivalent, communications: φ3.5 stereo pin jack |
|--------------------------|--|



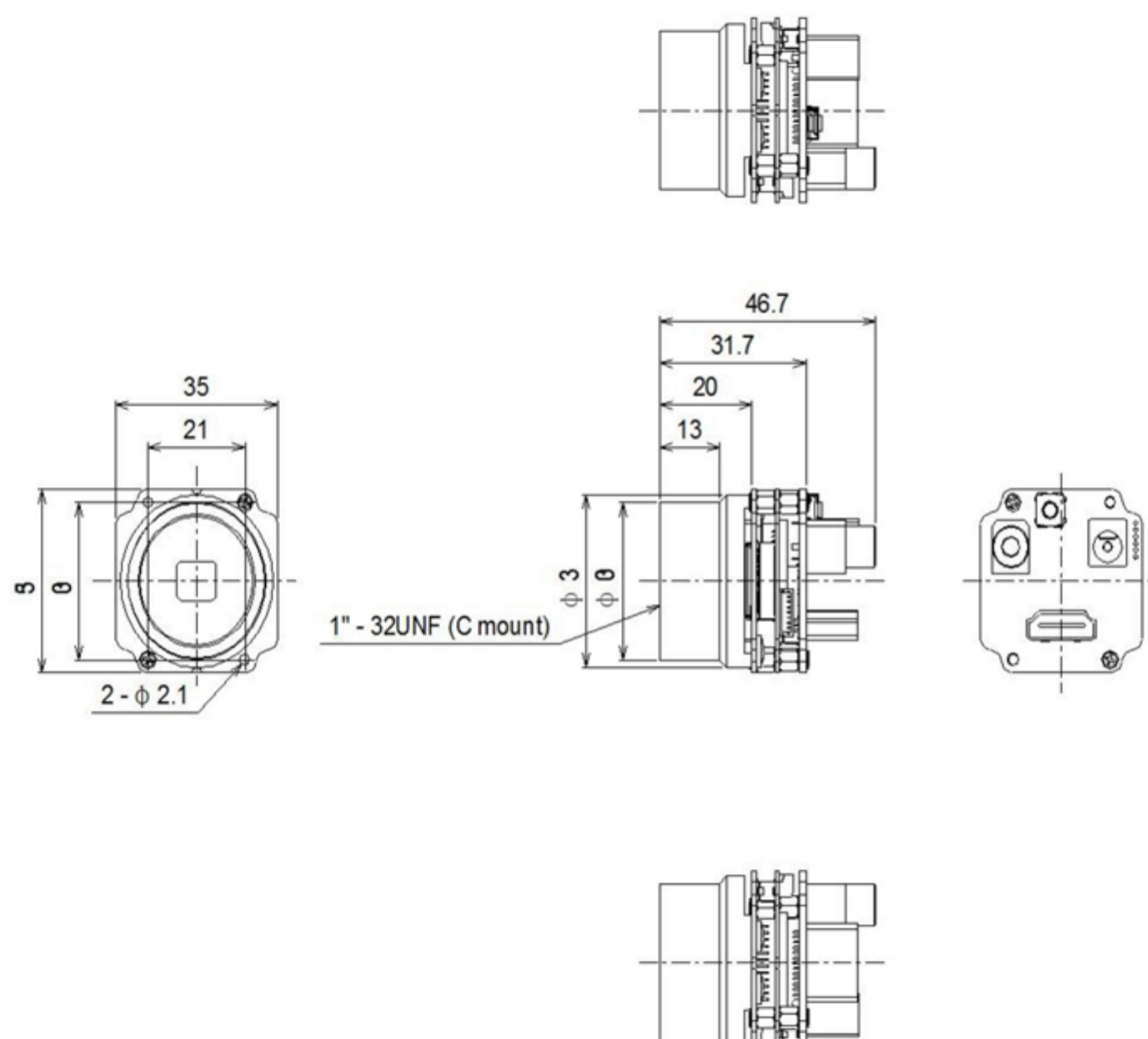
## External View

[Downloads](#)

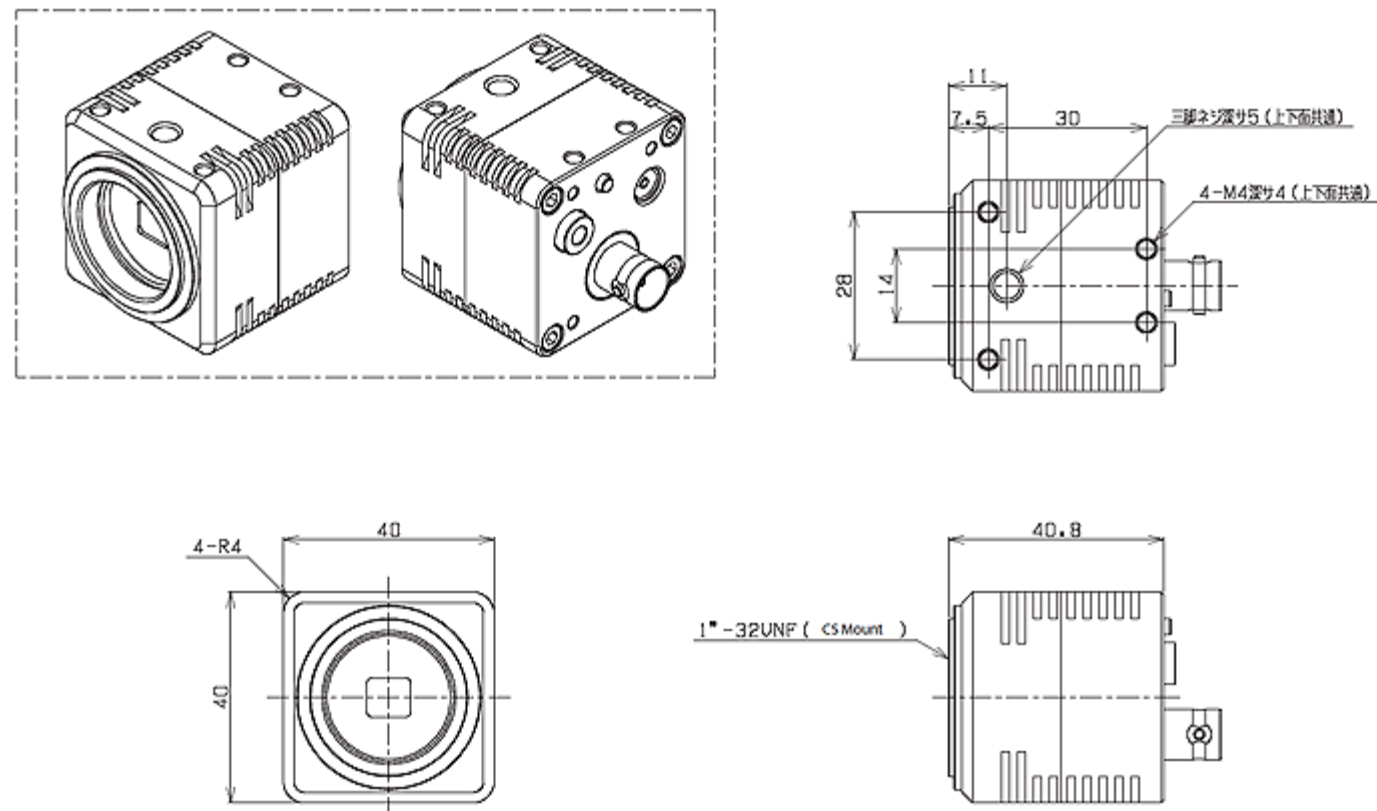
### STC-DV93SDI



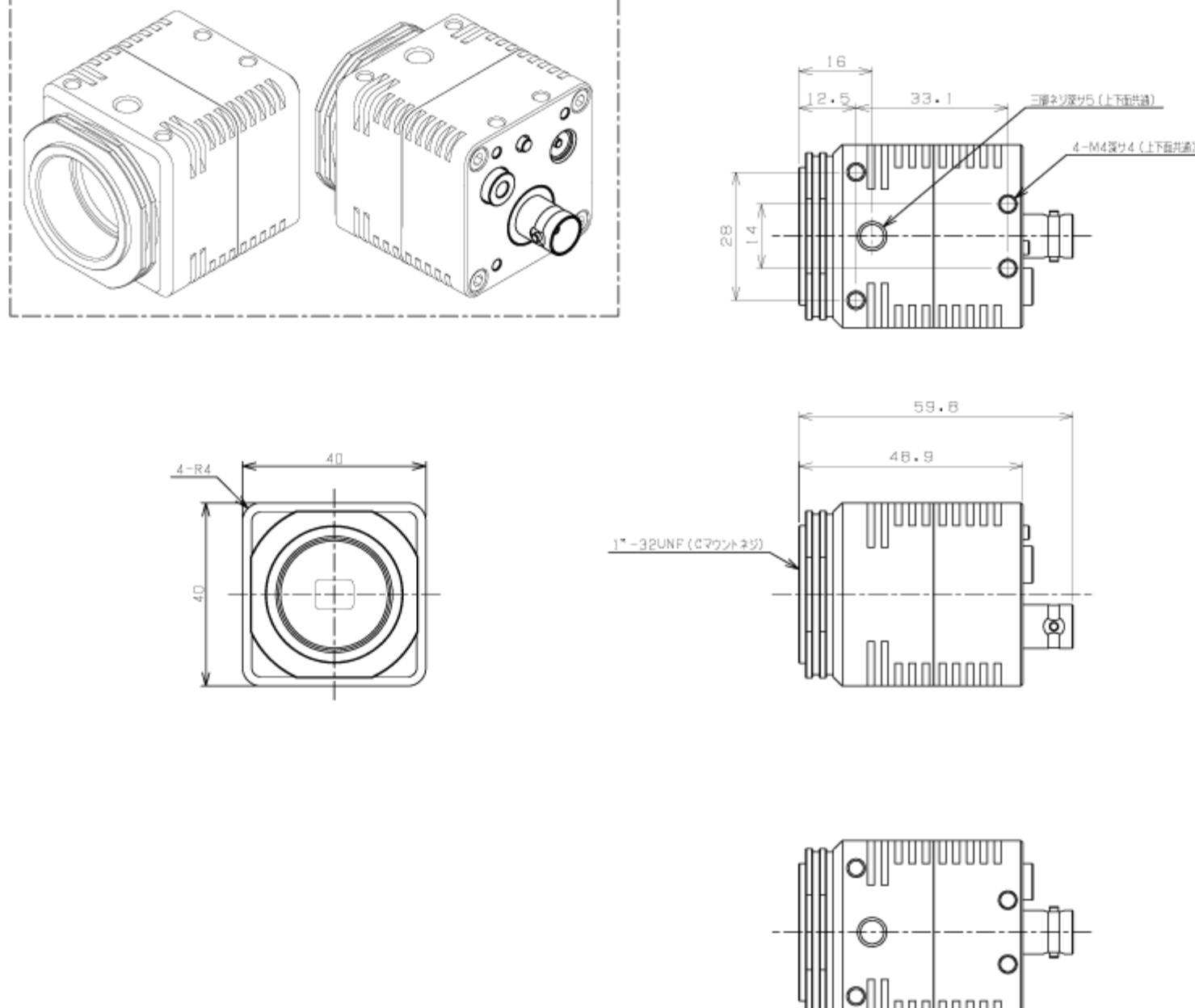
### STC-HD93SDI-B



### STC-DV93SDI-CS



### STC-HD203SDI



### STC-HD203SDI-CS

