

# HD high-definition Camera



**Description** DVI Output Color Camera

**Features** Connectable to the monitor directly using HDMI connector enables observing system without PC enables a display of the crosshair and shadow masks by using the optional remote unit. STC-HD93DV has a 1.5 times higher sensitivity than its conventional type(STC-HD133DV) and it leads to brighter images than ever. Release of the full High-Definition 1080P makes the acquisition of higher resolution images available.



## Product Lineup

Resolution		HD 720P	HD 720P	HD 720P	FHD 1080P	FHD 1080P
Model No.	Monochrome	-	-	-	-	-
	Color	STC-HD93DV	STC-HD93DV-B	STC-HD93DV-CS	STC-HD203DV	STC-HD203DV-CS
Frame Rate		60fps	60fps	60fps	60fps	60fps
Effective Pixels		1280 x 720	1280 x 720	1280 x 720	1920 x 1080	1920 x 1080
Sensor Size		1/3"	1/3"	1/3"	1/2.8"	1/2.8"
Cell Size (HxV, μm)		4.08x4.08	4.08x4.08	4.08x4.08	2.8x2.8	2.8x2.8
Imaging Area (HxVxD, mm)		2.9x5.2x6.0	2.9x5.2x6.0	2.9x5.2x6.0	3.0x5.4x6.2	3.0x5.4x6.2
Sensor	Monochrome	-	-	-	-	-
	Color	ICX692AQA	ICX692AQA	ICX692AQA	IMX136	IMX136
Lens Mount		C-Mount	C-Mount	CS-Mount	C-Mount	CS-Mount

### - Difference between the STC-HD133 series and STC-HD93 series -

The STC-HD93 Series is the successor of the STC-HD133 Series. While the number of pixels, the functions and enclosure are the same, the cell size is larger and the following items were changed.

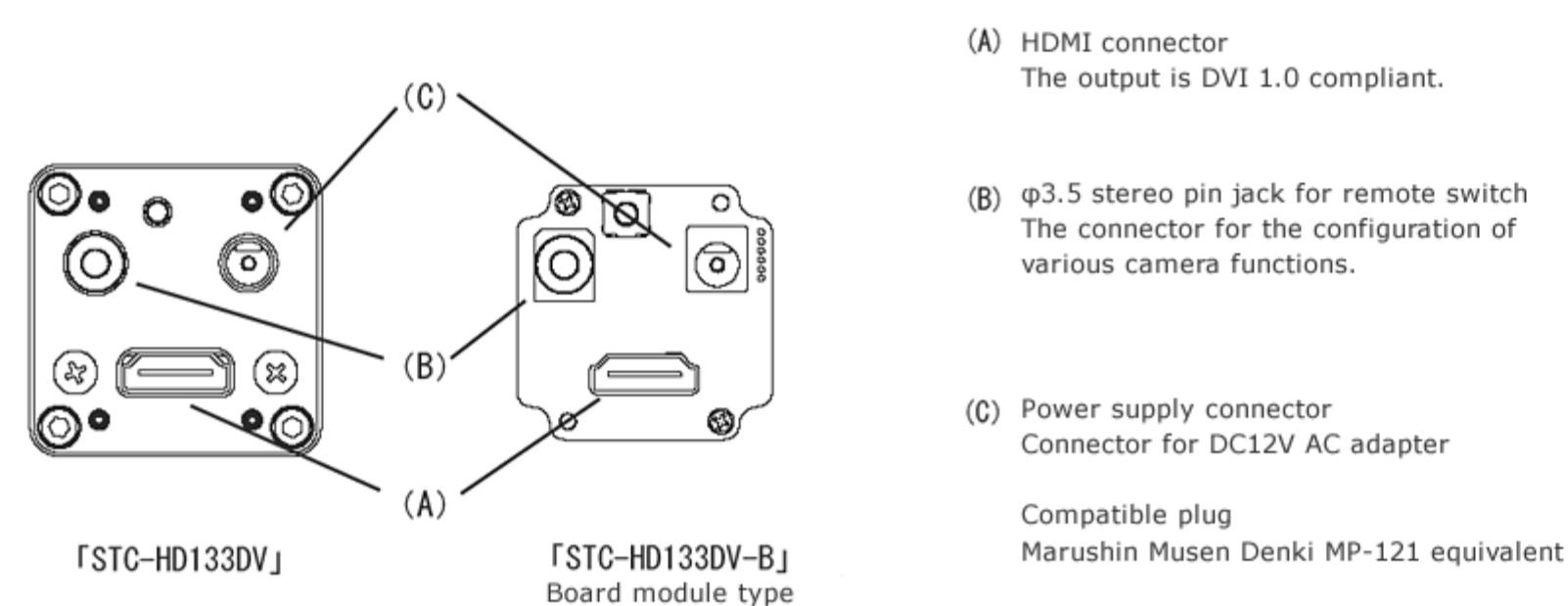
- The larger imaging size enables a relatively wider image angle with the same lens.
- The sensitivity is improved.

Series	STC-HD133DV Series	STC-HD93DV Series
Imaging size H x V x D (mm)	4.8 x 2.7 x 5.5	5.2 x 2.9 x 6.0
Minimum object illuminance (Lux at F1.2)	7.5	5.5
Cell size H x V (μm)	3.75 x 3.75	4.08 x 4.08

## External Connector Specifications

External Link Connectors	HDMI connector: DVI 1.0 compliant, power supply: MP-121C (Marushin Musen Denki) equivalent, communications: φ3.5 stereo pin jack
--------------------------	--

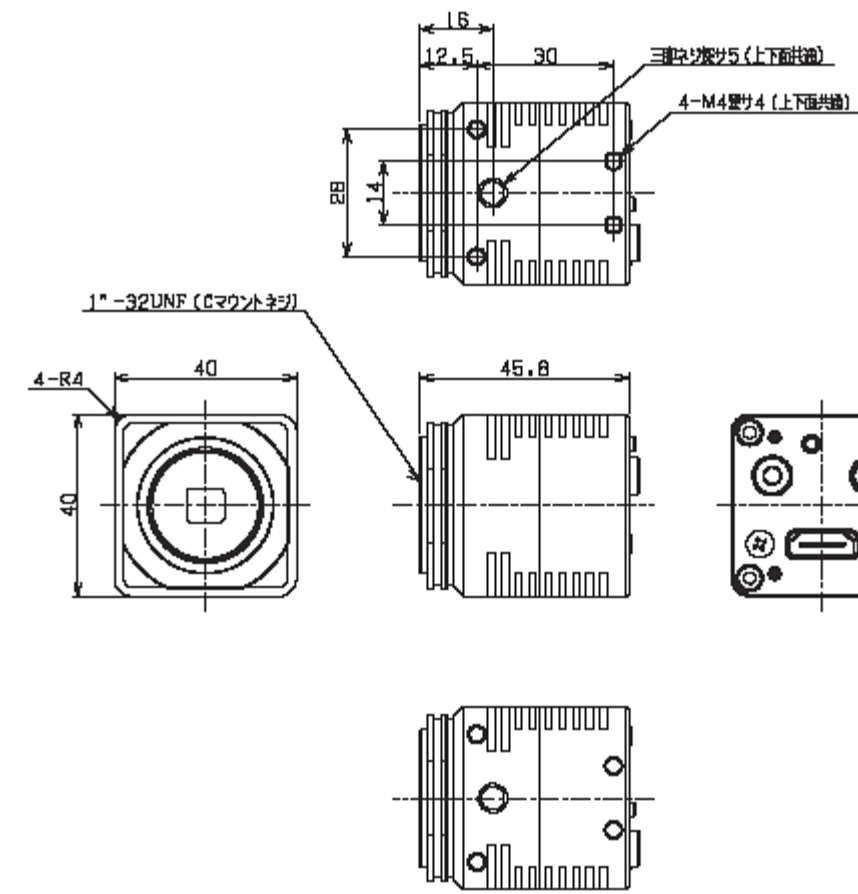
\* The HD133 and HD93 have identical exterior appearances.



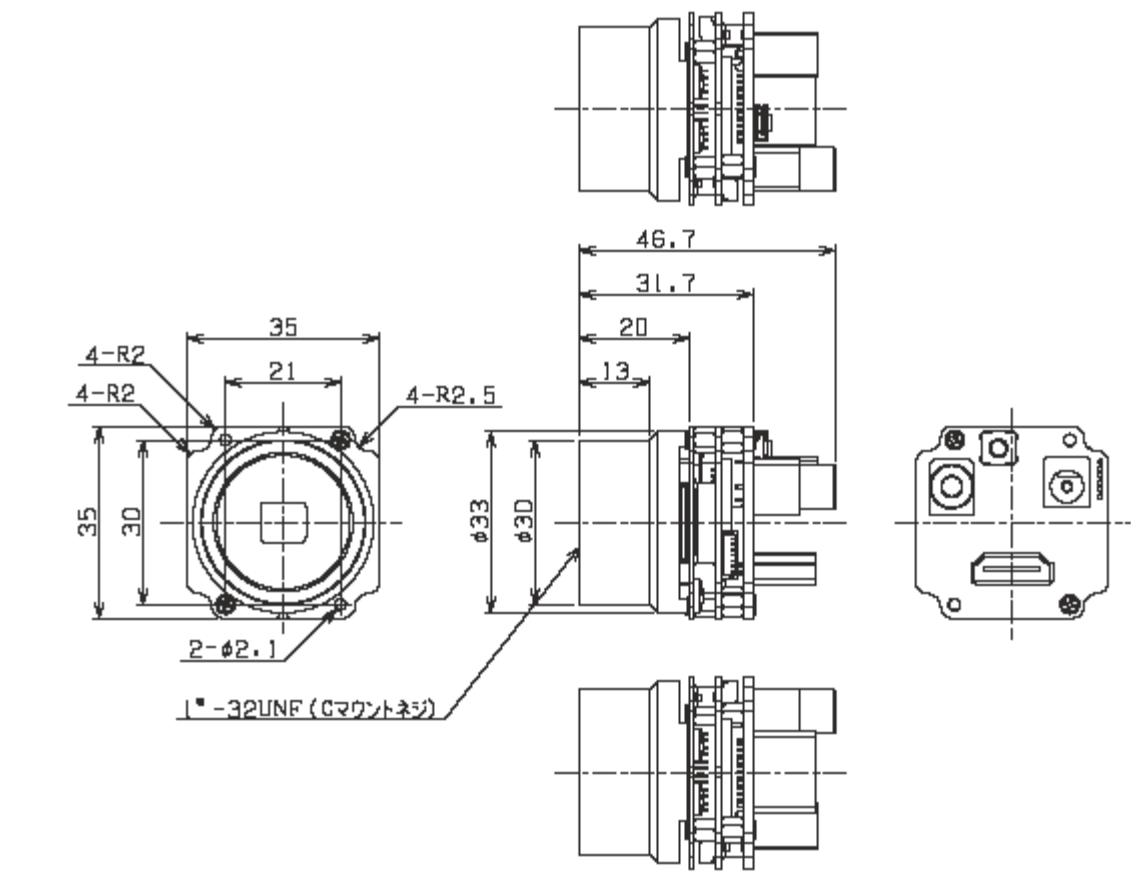
## External View

[Downloads](#)

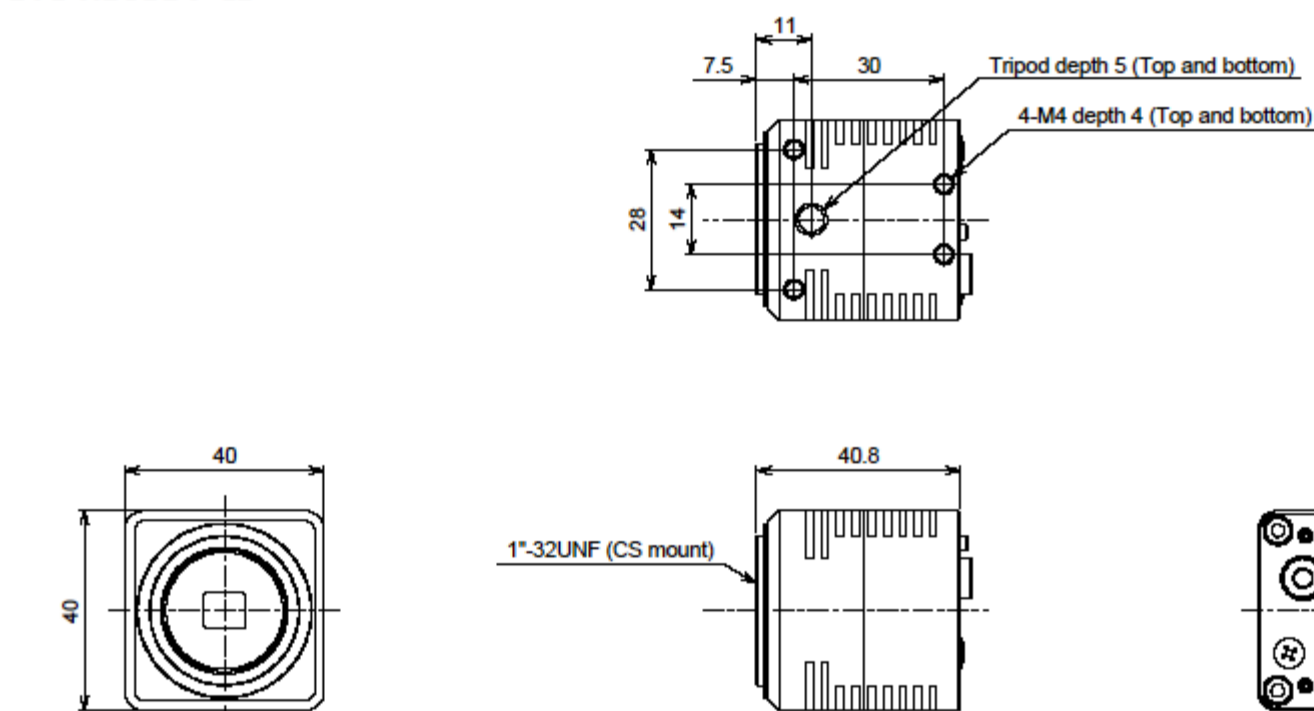
### STC-HD93DV



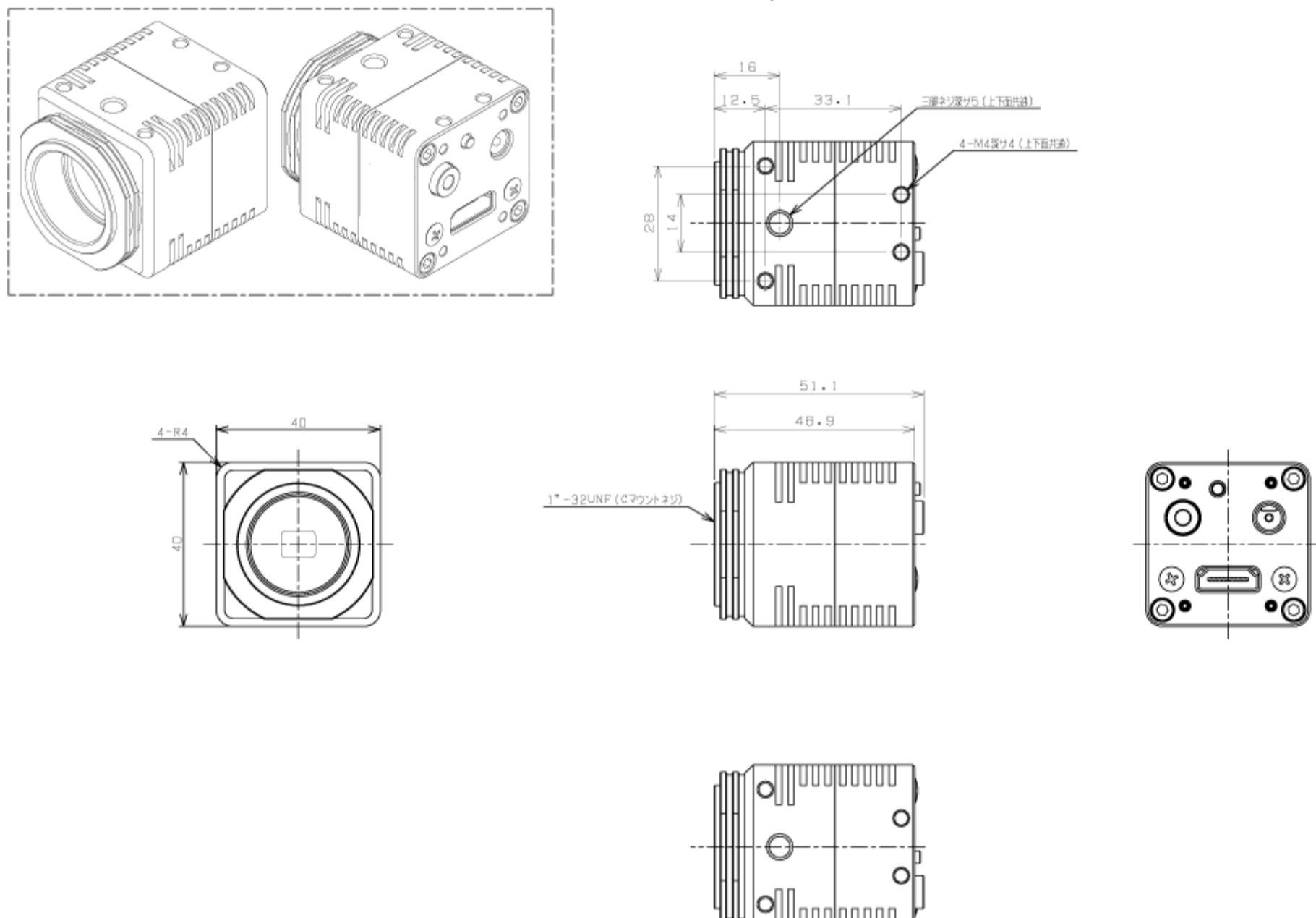
### STC-HD93DV-B



### STC-HD93DV-CS



### STC-HD203DV



### STC-HD203DV-CS

