

Analog Progressive Camera Series



Description Smallest and lightest Progressive Scan Black and White CCD Camera

Features Lineup includes resolutions from VGA (0.33 mega pixels) to UXGA (2.0 mega pixels)

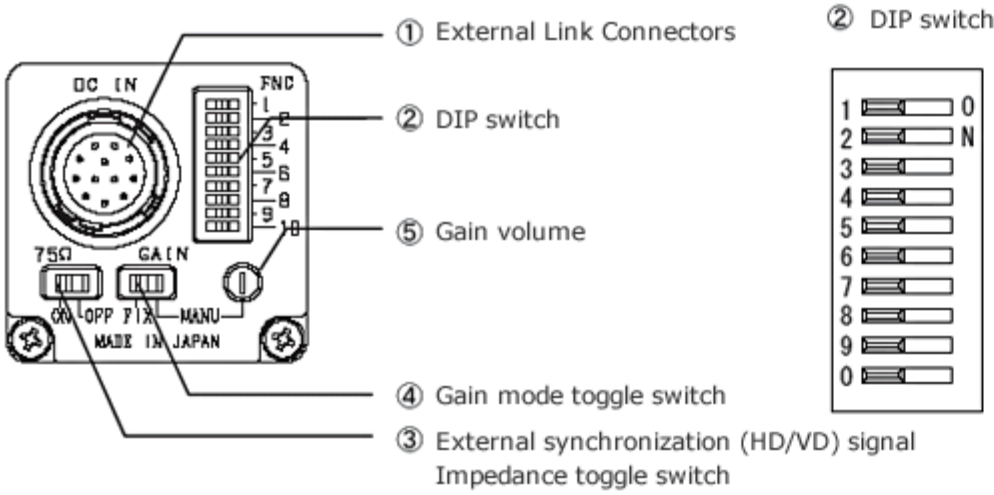


Product Lineup

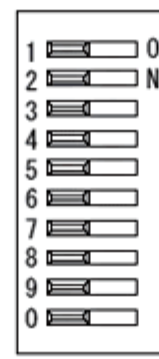
Resolution		VGA	VGA	XGA	1.3M	SXGA	UXGA
Model No.	Monochrome	STC-MB33A	STC-MB32A	STC-MB83A	STC-MB133A	STC-MB152A	STC-MB202A
	Color	-	-	-	-	-	-
Frame Rate		90fps	90fps	30fps	22fps	19fps	15fps
Effective Pixels		659×494	659×494	1034×779	1296×966	1392×1040	1628×1236
Sensor Size		1/3"	1/2"	1/3"	1/3"	1/2"	1/1.8"
Cell Size (H x V, μm)		7.4 x 7.4	9.9 x 9.9	4.65 x 4.65	3.75 x 3.75	4.65 x 4.65	4.4 x 4.4
Imaging Area (H x V x D, mm)		5.79 x 4.89	7.48 x 6.15	3.6 x 4.8 x 6	3.6 x 4.8 x 6	4.8 x 6.4 x 8	5.4 x 7.1 x 8.9
Sensor	Monochrome	ICX424AL	ICX414AL	ICX204AL	ICX445AL	ICX205AL	ICX274AL
	Color	-	-	-	-	-	-
Lens Mount		C-Mount	C-Mount	C-Mount	C-Mount	C-Mount	C-Mount

External Connector Specifications

External Link Connectors	12-pin connector: HR10A-10R-12PB (Hirose) equivalent
--------------------------	--



② DIP switch



No. 1~3: Shutter Speed

Shutter Speed	No. 1	No. 2	No. 3
OFF/Pulse width	OFF	OFF	OFF
1/200 seconds	ON	OFF	OFF
1/500 seconds	OFF	ON	OFF
1/1,000 seconds	ON	ON	OFF
1/2,000 seconds	OFF	OFF	ON
1/4,000 seconds	ON	OFF	ON
1/8,000 seconds	OFF	ON	ON
1/20,000 seconds	ON	ON	ON

No. 4~5: Reset Mode

Reset Mode	No. 4	No. 5
Non-reset	OFF	OFF
V-reset	ON	OFF
Function disabled	OFF	ON
Function disabled	ON	ON

No. 6: Trigger Signal Polarity

Trigger Signal Polarity	No. 6
Positive Polarity	OFF
Negative Polarity	ON

No. 7~8: Scan Mode

Scan Mode	No. 7	No. 8
Full Scan	OFF	OFF
Full Scan	ON	OFF
1/2 Partial	OFF	ON
1/4 Partial	ON	ON

Input/output of No. 9: Synchronization Signal

Input/output of Synchronization Signal	No. 9
Input	OFF
Output	ON
No. 0: Binning Mode	
Binning Mode	No. 10
OFF	OFF
ON	ON

① External Link Connectors HR10A-10R-12PB (Hirose) equivalent



Pin No.	Name	
	Internal Synchronization	External Synchronization
1	GND	GND
2	+12V DC	+12V DC
3	VIDEO GND	VIDEO GND
4	VIDEO OUT	VIDEO OUT
5	HD GND	HD GND
6	HD OUT	HD IN
7	VD OUT	VD IN
8	GND	GND
9	TXD	TXD
10	WEN OUT	WEN OUT
11	TRG IN	TRG IN
12	RXD *Note 1	RXD *Note 1

- RS-232C communications can also be performed using 9 pins or 12 pins

- Functions that can be changed with a DIP switch can also be changed through communications

See the user guide for details.

*Note 1: GND connection possible

③ External Synchronization (HD/VD) Signal Impedance Selection Switch

75Ω Termination	ON
High Impedance	OFF

④ Gain Mode Toggle Switch

Fixed Gain (internal camera setting)	FIX
Manual Gain	MANU

* Please use an HR10A-10P-12S (Hirose) equivalent on the cable-side.

External View

[Downloads](#)

