

# TV format compact monochrome camera



**Description** Compact FA black and white TV format camera series

**Features** Ultra-compact and lightweight  
Lineup of 1/2" and 1/3" sensors in the same configuration  
The series also includes a lineup of near-infrared capable high-sensitivity

models

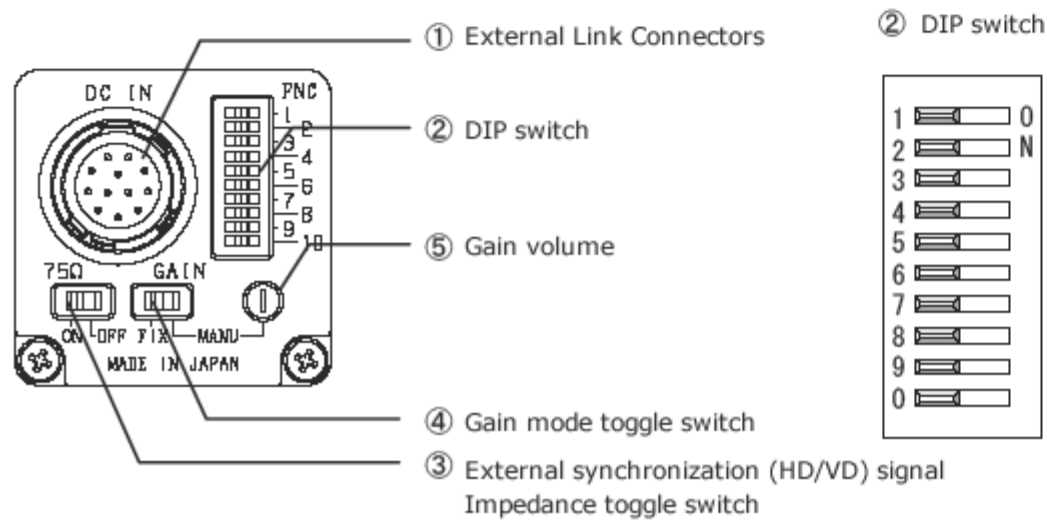


## Product Lineup

Resolution		0.4 Mega pixels	0.4 Mega pixels	0.4 Mega pixels	0.4 Mega pixels
Model No.	Monochrome	STC-MB43E	STC-MB43C	STC-MB42E	STC-MB42C
	Color	-	-	-	-
Video Format		EIA	CCIR	EIA	CCIR
Effective Pixels		768 x 494	752 x 582	768 x 494	752 x 582
Sensor Size		1/3"	1/3"	1/2"	1/2"
Cell Size (H x V, μm)		7.4 x 6.35	6.25 x 6.5	8.3 x 8.6	9.8 x 8.4
Imaging Area (H x V x D, mm)		3.6 x 4.8 x 6	3.6 x 4.8 x 6	4.8 x 6.4 x 8	4.8 x 6.4 x 8
Sensor	Monochrome	ICX408AL	ICX409AL	ICX418AL	ICX419AL
	Color	-	-	-	-
Lens Mount		CS-Mount	CS-Mount	CS-Mount	CS-Mount

## External Connector Specifications

External Link Connectors	12-pin connector: HR10A-10R-12PB (Hirose Electric) equivalent
--------------------------	---



① External Link Connectors  
HR10A-10R-12PB (Hirose) equivalent



- RS-232C communications can also be performed using 9 pins or 12 pins.

- Functions that can be changed with a DIP switch can also be changed through communications

See the user guide for details.

Pin No.	Name	
	Internal Synchronizator	External Synchronizator
1	GND	GND
2	+12V DC	+12V DC
3	VIDEO GND	VIDEO GND
4	VIDEO OUT	VIDEO OUT
5	HD GND	HD GND
6	HD OUT	HD IN
7	VD OUT	VD IN
8	GND	GND
9	TXD	TXD
10	-	-
11	-	-
12	RXD *Note 1	RXD *Note 1

\*Note 1: GND connection possible

② DIP switch

Shutter Speed	No. 1	No. 2	No. 3	No. 4
OFF	OFF	OFF	OFF	OFF
1/60 seconds	ON	OFF	OFF	OFF
1/100 seconds	OFF	ON	OFF	OFF
1/120 seconds	ON	ON	OFF	OFF
1/250 seconds	OFF	OFF	ON	OFF
1/500 seconds	ON	OFF	ON	OFF
1/1,000 seconds	OFF	ON	ON	OFF
1/2,000 seconds	ON	ON	ON	OFF
1/4,000 seconds	OFF	OFF	OFF	ON
1/5,000 seconds	ON	OFF	OFF	ON
1/8,000 seconds	OFF	ON	OFF	ON
1/10,000 seconds	ON	ON	OFF	ON
1/20,000 seconds	OFF	OFF	ON	ON
1/100,000 seconds	ON	OFF	ON	ON
OFF	OFF	ON	ON	ON
OFF	ON	ON	ON	ON

No. 8: Gamma

Gamma switching	No. 8
Gamma 1.0	OFF
Gamma 0.45	ON

Input/output of No. 9: Synchronization Signal

Direction of synchronizing signal	No. 9
Input	OFF
Output	ON

No. 0: Storage Mode

Storage Mode	No. 10
Frame Storage	OFF
Field Storage	ON

③ External Synchronization (HD/VD) Signal Impedance Selection Switch

75Ω Termination	ON
High Impedance	OFF

④ Gain Mode Toggle Switch

Fixed Gain (internal camera setting)	FIX
Manual Gain	MANU

\* Please use an HR10A-10P-12S (Hirose) equivalent on the cable-side.

## External View

[Downloads](#)

