

# TV Format 600 Series



**Outline** TV format color CCD camera

**Features** Full lineup including board and case types, different resolutions and sensor sizes



## Product Lineup

Resolution		0.4 Mega pixels	0.4 Mega pixels	0.4 Mega pixels	0.4 Mega pixels
Model No.	Monochrome	—	—	—	—
	Color	STC-630	STC-635	STC-620	STC-625
Video Format		NTSC	PAL	NTSC	PAL
Effective Pixels		768 x 494	752 x 582	768 x 494	752 x 582
Sensor Size		1/3"	1/3"	1/2"	1/2"
Cell Size (H x V, μm)		7.40 x 6.35	6.25 x 6.50	9.8 x 8.4	8.3 x 8.6
Imaging Area (H x V x D, mm)		3.6 x 4.8 x 6	3.6 x 4.8 x 6	4.8 x 6.4 x 8	4.8 x 6.4 x 8
Sensor	Monochrome	—	—	—	—
	Color	ICX638BKA	ICX639BKA	ICX418AKL	ICX419AKL
Lens Mount		CS-Mount, Fixed Lens	CS-Mount, Fixed Lens	C-Mount, Fixed Lens	C-Mount, Fixed Lens

\* Please select the model name from the following lineup chart when ordering

## Lineup chart

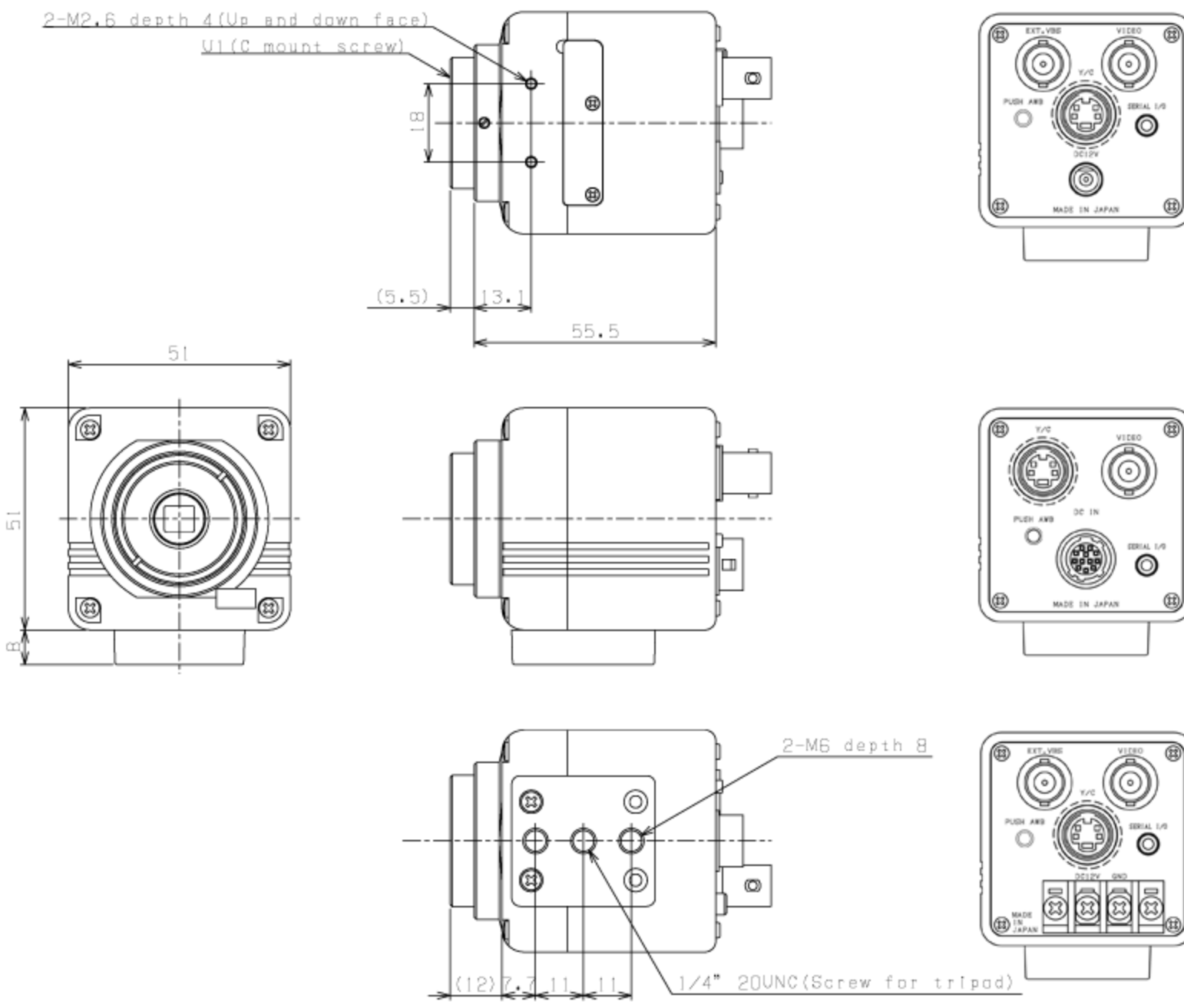
	Lens Mount	Bit Depths	Functions/Features	Model No.		Model No.	
				1/3" 0.4 Megapixel		1/2" 0.4 Megapixel	
				NTSC	PAL	NTSC	PAL
Case	630/635:CS-Mount 620/625:C-Mount	Y/C, BNC	Power supply terminal stand	STC-630PWT	STC-635PWT	STC-620PWT	STC-625PWT
			Power supply pin jack	STC-630PWJ	STC-635PWJ	STC-620PWJ	STC-625PWJ
			External control/Power supply 12 pins	STC-630PWC	STC-635PWC	STC-620PWC	STC-625PWC
Board	With fixed lens	Y/C		STC-630L3	STC-635L3	-	-
	CS-Mount			STC-630CS3	STC-635CS3	-	-
	C-Mount			-	-	STC-620C3	STC-625C3

## External View

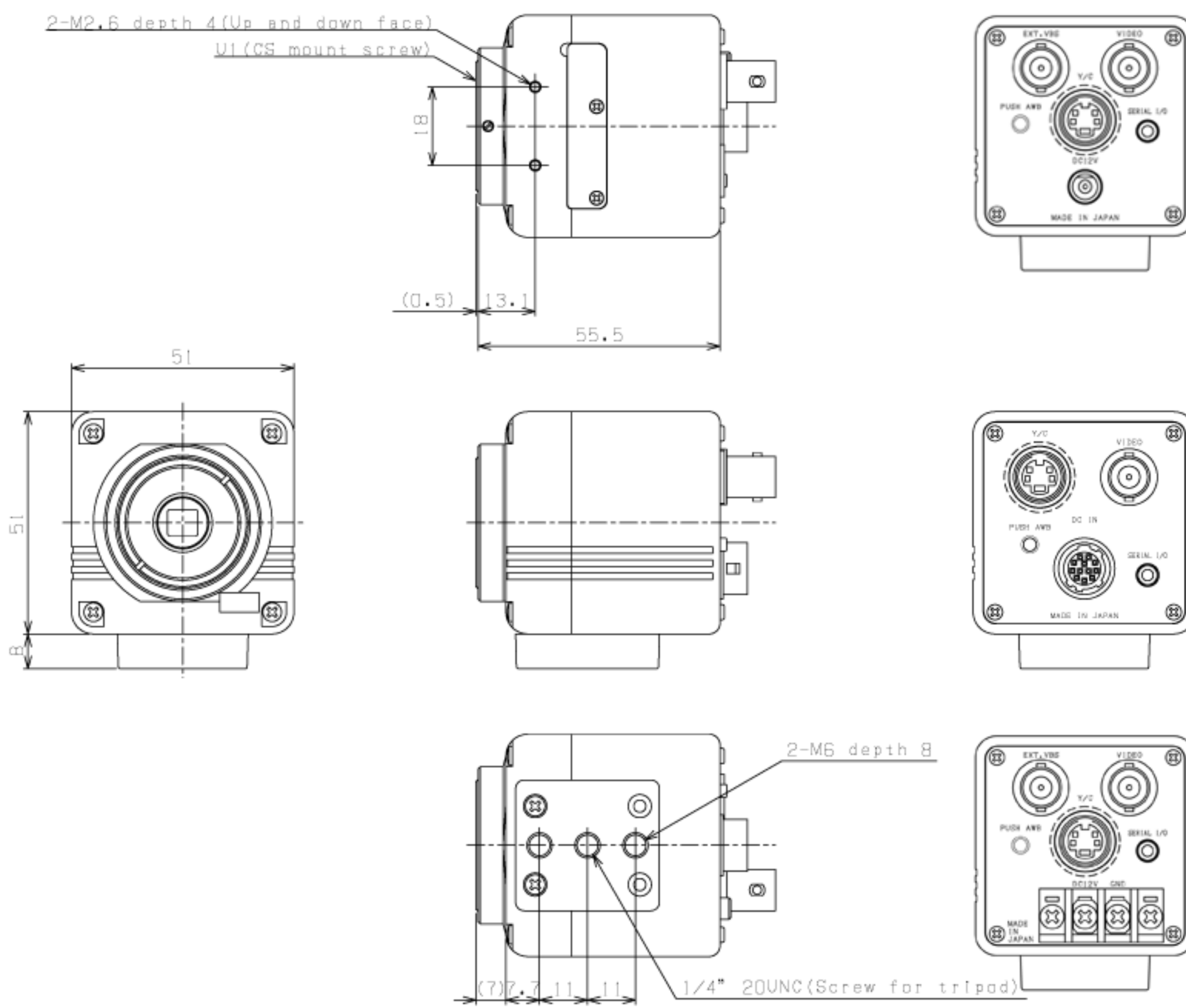
\* See specification sheet for detailed dimensions

[Downloads](#)

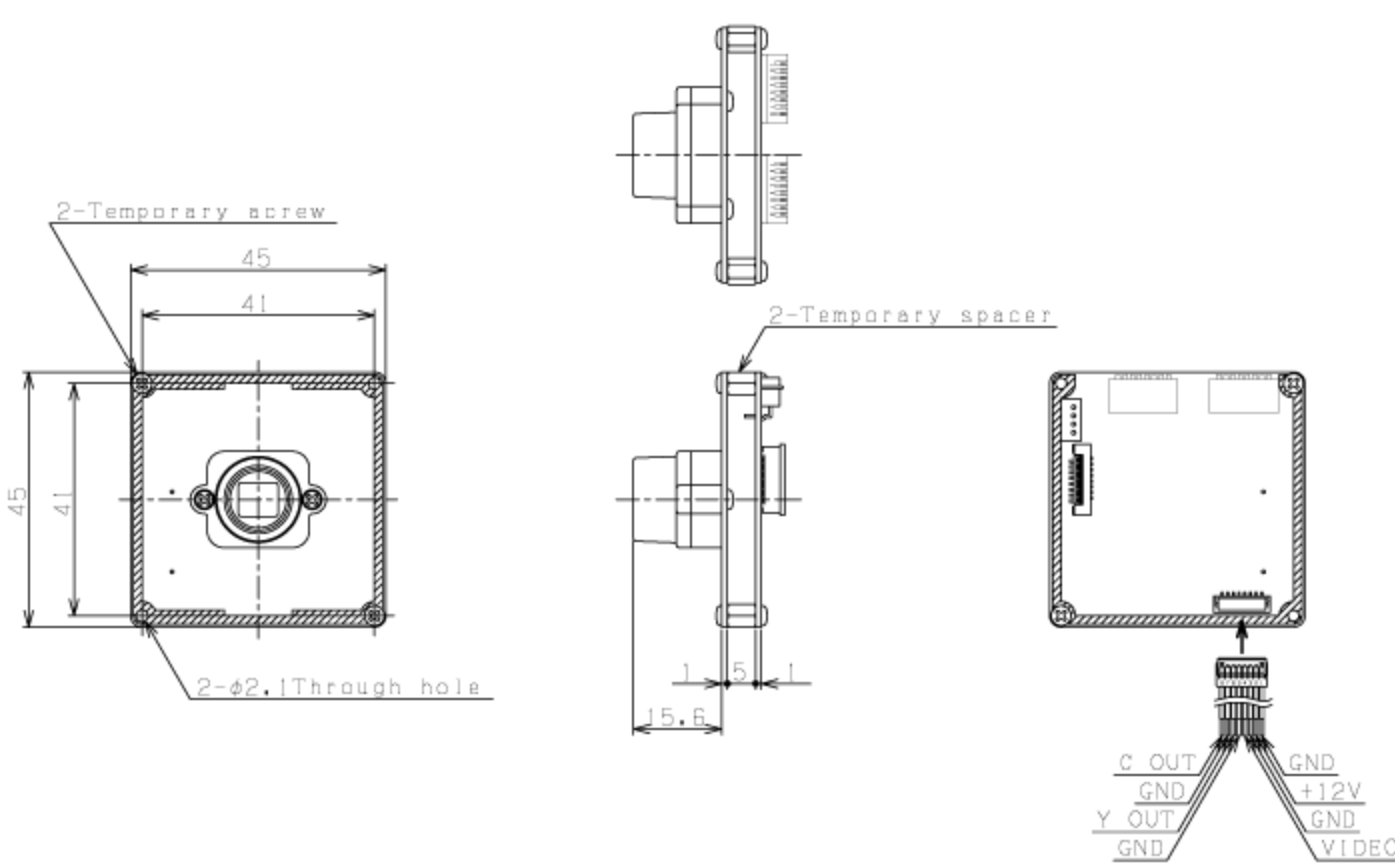
### Case Type(C-Mount):PWT, PWJ, PWC



### Case Type(CS-Mount):PWT, PWJ, PWC



### Board Type:L3



### Board Type:CS3

