

Color TV Format Model STC-S133 Series



Description

1/3.2" 0.65M TV Format Color CMOS Board Level Camera

Features

SONY CMOS sensor adoted small size board camera.
Fulfilling the requirements to install in small space for its compact size.
Mountless, fixed focus lenses, CS mount available.



Software Downloads



Document Downloads



FAQ

Product Lineup

Resolution		0.65 Mega pixels	0.65 Mega pixels
Model No.	Color	STC-S133N	STC-S133P
Video Format		NTSC	PAL
Effective Pixels		1280 x 486	1211 x 576
Sensor Size		1/3.2"	1/3.2"
Cell Size (H x V, μm)		3.5 x 3.5	3.5 x 3.5
Imaging Area (H x V x D, mm)			
Sensor	Color	ISX017	ISX017
Lens Mount		No lens, Fixed lens, CS Mount	No lens, Fixed lens, CS Mount

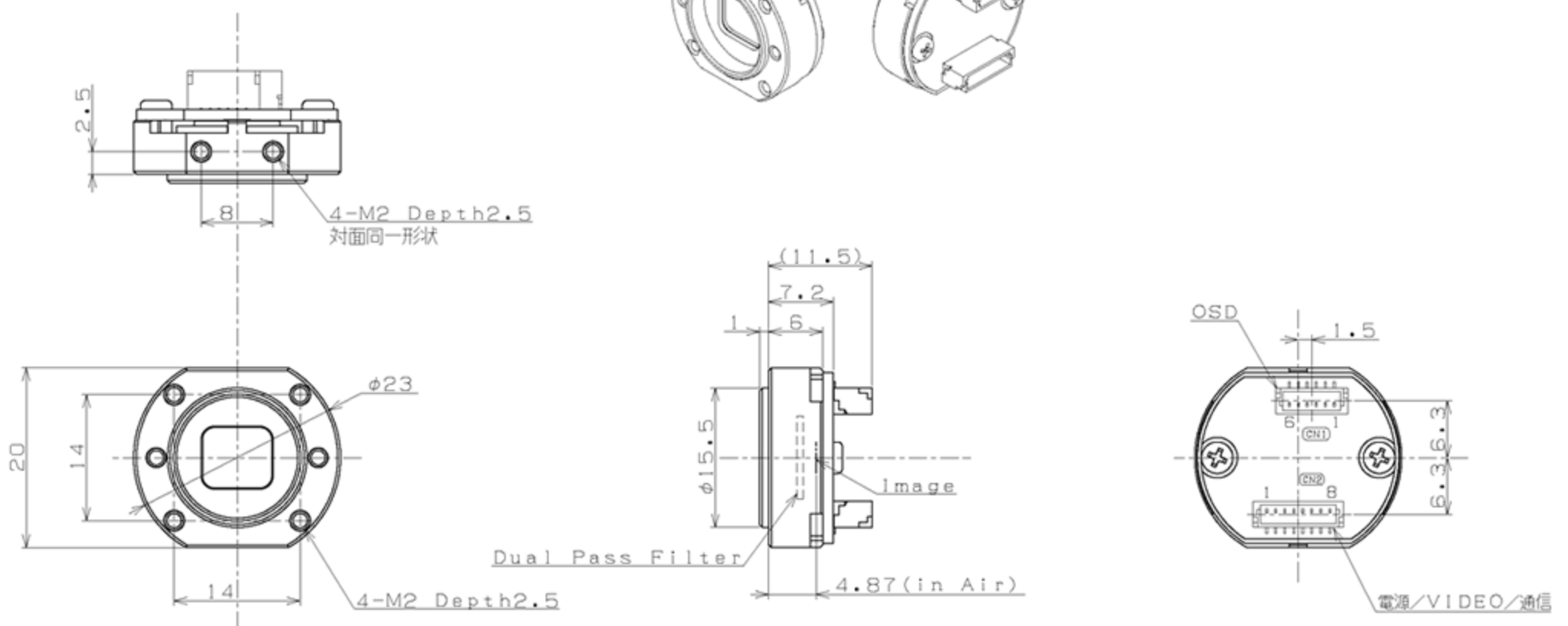
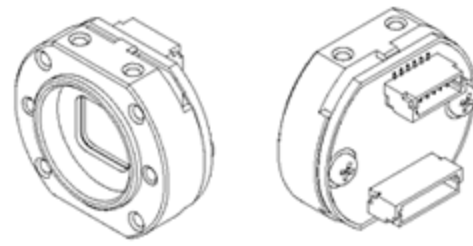
Lineup chart

Model No.	Video Format	Lens Mount
STC-S133N	NTSC	No lens
STC-S133N-L		Fixed lens
STC-S133N-CS		CS Mount
STC-S133P	PAL	No lens
STC-S133P-L		Fixed lens
STC-S133P-CS		CCS Mount

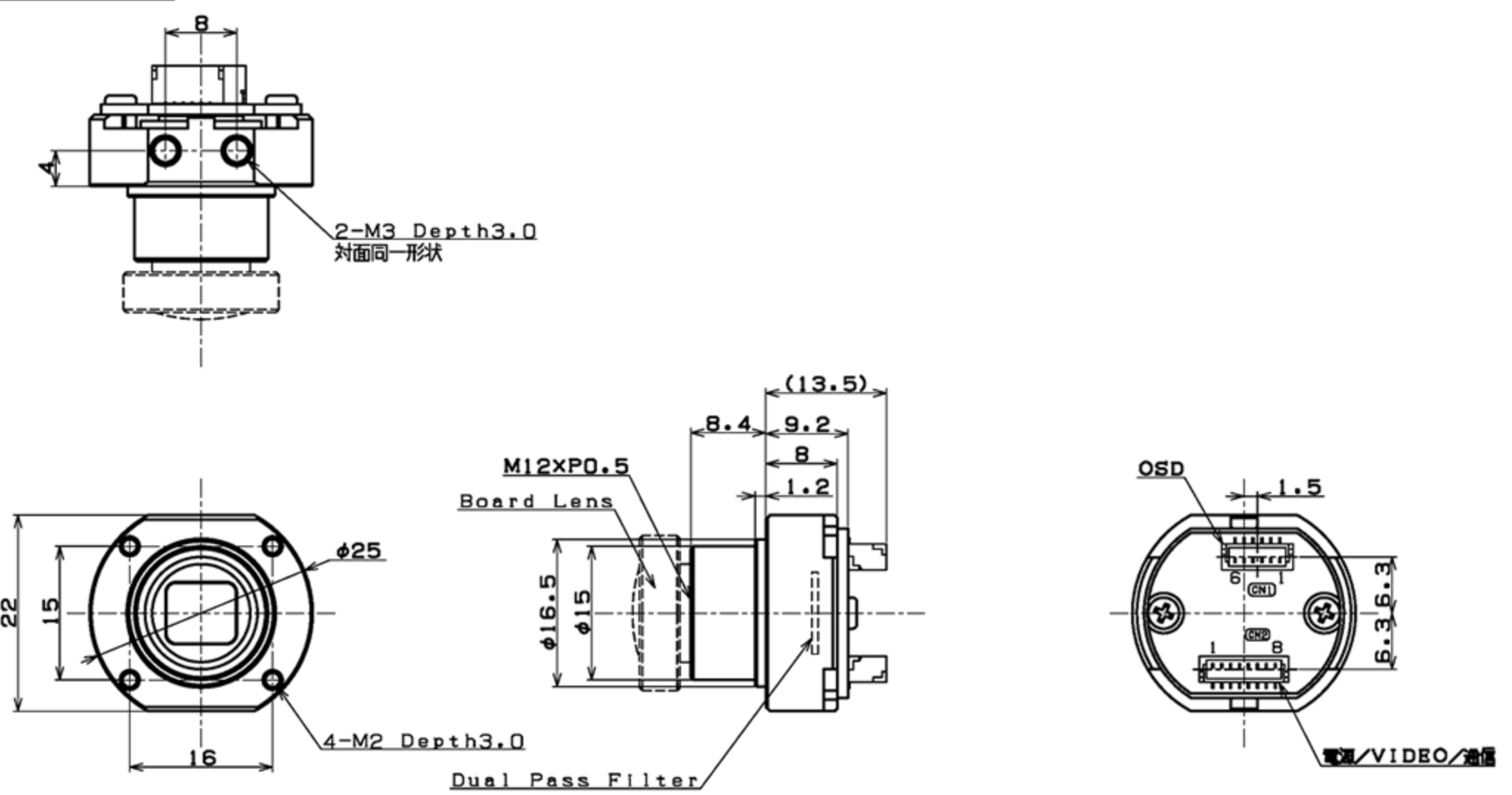
External View

[Downloads](#)

STC-S133N/P



STC-S133N/P-L



STC-S133N/P-CS

